



MINI PW CONTROLLER (Power version)

INSTALLATION, OPERATING AND USER MANUAL

IMPORTANT

Prior to installing and using the controller, please carefully read this manual and keep it for future reference





MINI PW CONTROLLER (Power version)

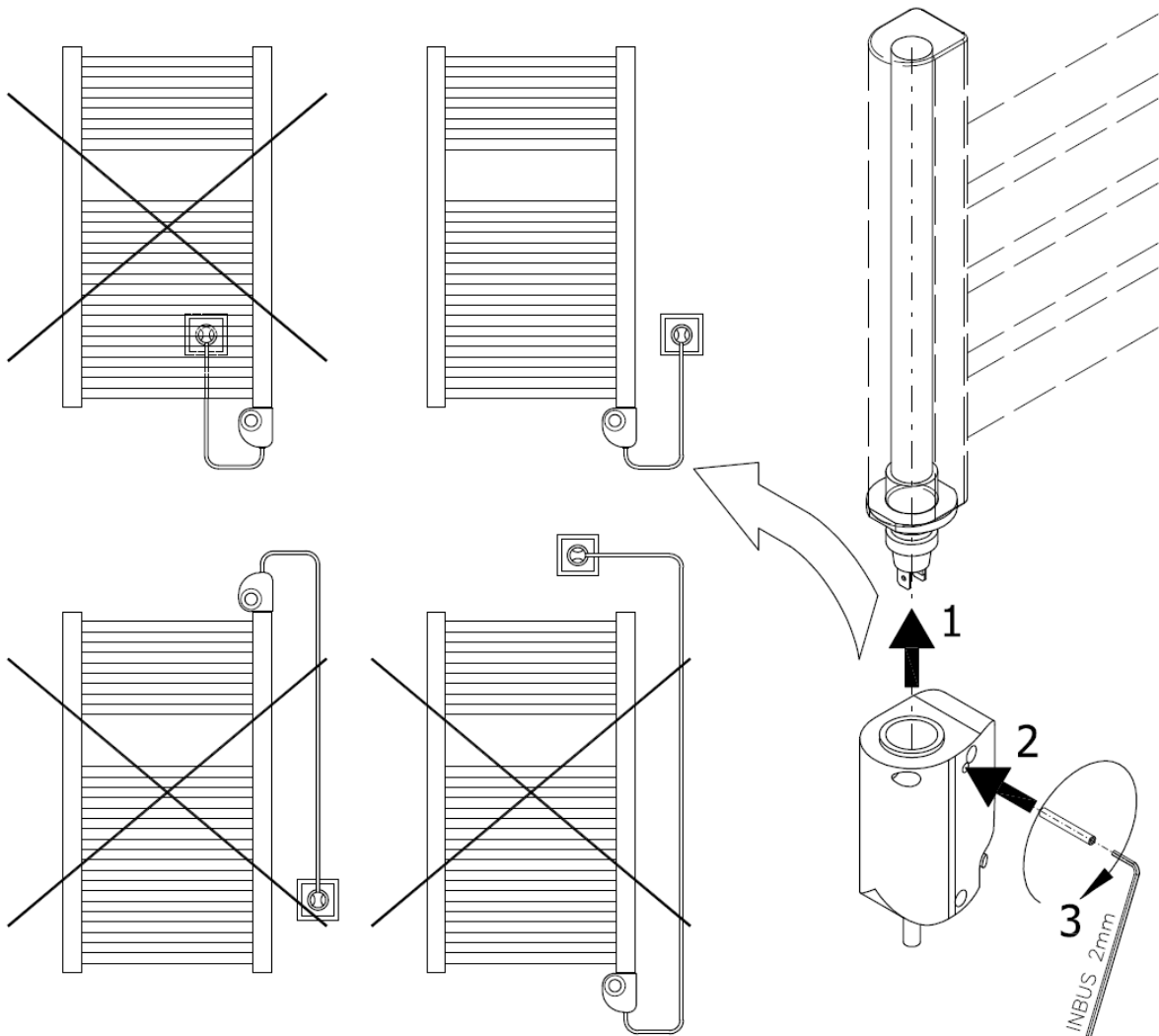
- The electric towel dryer controller is designed for drying water-washed clothing. Any other use is prohibited.
- Always make sure that the master switch is off before proceeding with installation or maintenance.
- Do not use the towel dryer prior to its proper and complete installation by a qualified electrician and hot-water heating technician.
- Do not switch on the controller until the wiring has been checked and all cables are connected in accordance with manufacturer instructions. Check the controller for any damage and the O-ring for proper installation.
- Do not turn off the controller by disconnecting the supply cable.
- Do not use the controller if the electric circuit is not connected to a circuit breaker.
- If the electrical cord is damaged, have the appliance replaced.
- The nominal voltage of the controller must match the nominal voltage of the supply network (230 V AC $\pm 10\%$).
- The socket outlet (only appliances with a male plug) and power supply must be compatible with the required performance.
- The socket must be compatible with the controller plug (applies to appliances with a male plug only).
- Check to ensure that the power supply system is connected to a socket circuit breaker.
- Class I appliances (a yellow-green conductor or earthing pin) may only be connected to sockets or terminals with earthed contacts in accordance with applicable standards.
- Prevent any contact of the appliance with chemicals or alcohol, including the towel dryer liquid.
- The appliance should not be operated by children or persons
 - with sensory perception disorders or mental health problems
 - lacking experience or knowledge necessary for operation of the appliance (unless under the supervision of a person responsible for their safety and capable of following the manual instructions).
- Prevent unattended children from tampering with the appliance.
- Never insert any metal objects, fingers, etc. in the controller connection area.

MINI PW CONTROLLER (Power version)

INSTALLATION



- Do not install the towel dryer with the controller on top.
- Do not install the towel dryer below or in front of a socket outlet or terminal box.



- The controller must not come in contact with the wall or floor when installed.
- Slide the controller onto the heating rod and secure it in place with the M4 threaded screw using a 2mm Allen key as shown above.

MINI PW CONTROLLER (Power version)

- The electronic controller cannot be installed in other than 230 V systems. Observe the following colour code for plugless appliances:

CONDUCTOR COLOUR	CONNECTION POINT
Brown	Phase conductor
Blue	Neutral conductor
Yellow-green	Protective conductor (Class I)

- The appliance must be connected to a socket circuit breaker.
- If the appliance is to be installed in a bathroom, it must be protected by a residual current device with 30mA release current.
- For bathroom installations, the Class I controller should be located in Zone 3 (see Fig. 1) so that the control unit is out of reach of people using the shower or bathtub.
- Towel dryers to be fitted with controller must be installed 40 - 80 mm away from the wall and no less than 250 mm above the floor.

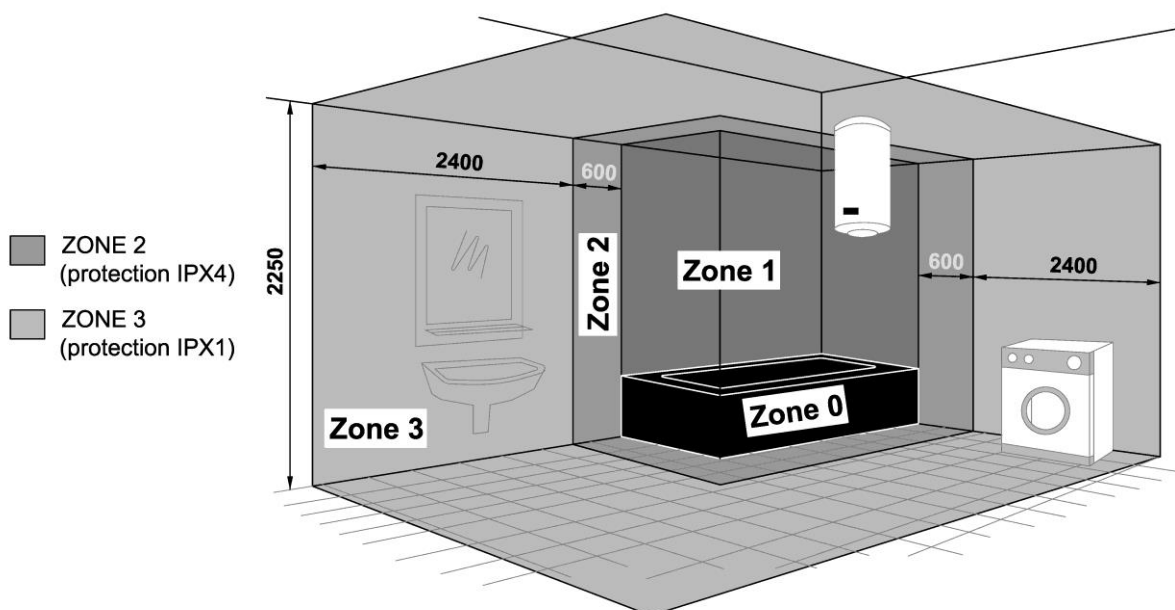


Fig. 1: Bathroom zone classification

MINI PW CONTROLLER (Power version)

Controller operation

The appliance features a turning knob, as shown in Fig. 2 and 3. When the indicator is in the blue area, the controller is in standby mode, i.e. the heating rod is off. In the green area, the output of the electric heating element is linearly controlled at a scale of 20% – 100% of the nominal output. When the indicator is in the red area, the heating runs continuously.

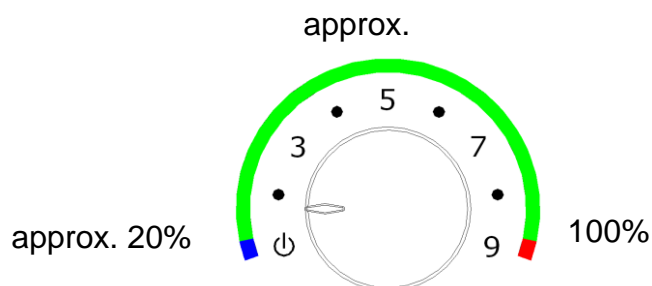


Fig. 2: The controller turning knob scale

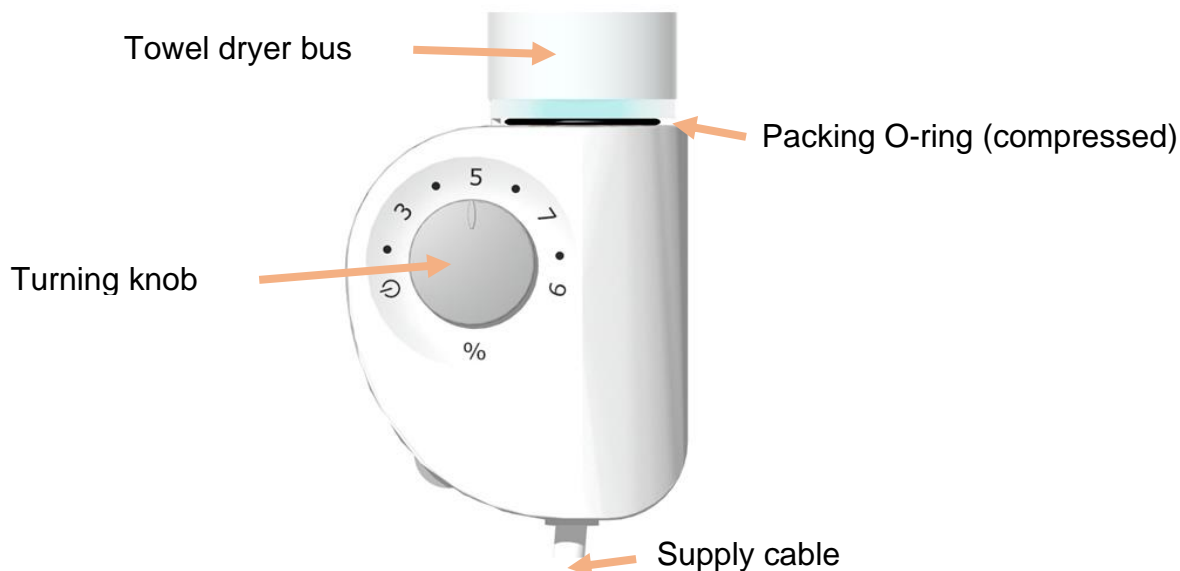


Fig. 3: MINI PW controller

MINI PW CONTROLLER (Power version)

Power cable size reduction

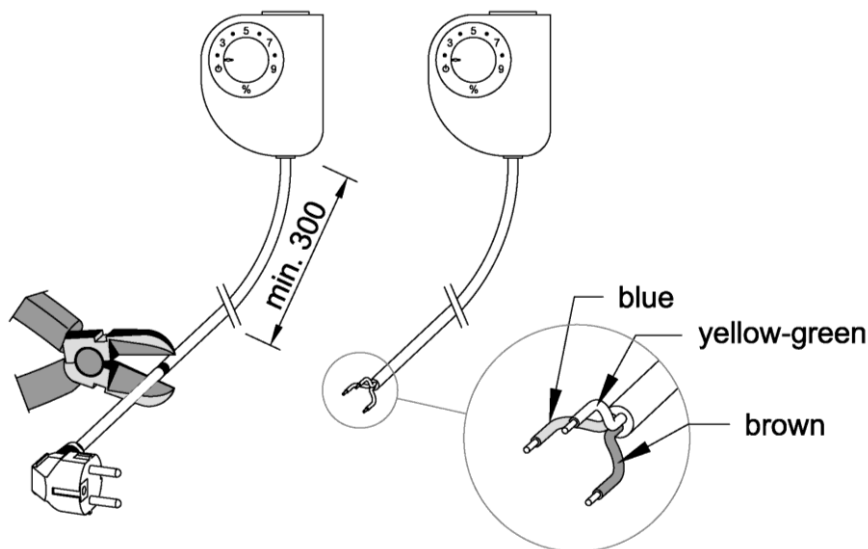
The length of the power supply cable can be reduced to allow its direct installation in a wall box or connection to a terminal designed for the cable, i.e. it is certified and rated for the given type of installation (e.g. an electric plug with an integrated switch).

CAUTION! The cable must extend at least 300 mm from the inlet to the heating unit, the thermostat receiver or regulator (according to the equipment installed) after it has been cut. No warranty claim or repair will be accepted, including defects not related to the shortening of the cable, if the length of the cable is less than 300 mm.

The reduction may only be carried out by a person with the appropriate electrical expertise! The external insulation of the cable and the insulation of individual conductors must remain intact. Avoid using cables with broken insulation.

All connections/wiring must be in compliance with the legislation of the country where the installation is performed, as well as with the rules for use in specific environments (e.g. bathrooms), the IEC 60364-7-701 standard in particular.

In this case, the rated degree of protection, IPX4, as declared by the manufacturer of the product, will not apply to the reduced end of the cable and/or any terminal.



The wiring of Class I equipment is as follows:

Brown (black):	L	phase 230 V AC / 50-60 Hz
Blue:	N	neutral conductor
Yellow-green:	PE	protective conductor (earth)

The manufacturer assumes no responsibility for any damage to the equipment or personal injury caused by improper installation of the cable, reversed polarity, insulation damage or any other intervention, connection or wiring that is not in compliance with the applicable regulations.



MINI PW CONTROLLER (Power version)

Technical specifications

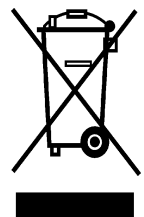
Operating voltage	230 V AC $\pm 10\%$ 50 Hz
Maximum el. input	2 000 W
Insulation class	Class I
Protection class	IPX4
Operating temperature	0 ÷ 50 °C
Storage temperature	-20 ÷ 70 °C
Operating humidity	0 ÷ 85% at 25 °C (without condensation)
Output control	Analogue turning knob (linear)
Output setting range	20 ÷ 100% of nominal output



The installation must be performed in a professional manner and in accordance with standards applicable in the country of installation.

PRODUCT DISPOSAL INSTRUCTIONS - THE EUROPEAN UNION

The crossed out symbol of a bin displayed on your product is a reminder that, within the European Union, all electric and electronic products must be collected separately at the end of their service life. Do not dispose of these products as unsorted municipal waste. Bring these products to a waste collection facility to prevent environmental or health damage due to uncontrolled waste disposal and to promote sustainable utilization of material resources. Disposal information can be obtained from product vendors, local waste management authorities or relevant national manufacturers.



The manufacturer disclaims all liability and responsibility for any inaccuracies contained in this document due to printing or translation errors. The manufacturer reserves the right to make any changes to its products deemed to be necessary or beneficial. This document and any part thereof may not be copied, altered or reproduced without the written approval.



MINI PW CONTROLLER (Power version)

WARRANTY

1. Seller's warranty applies only to the tightness, surface finish, specified parameters of heating output and pressure losses of heating units professionally installed in a closed hot water system in accordance with applicable standards and regulations, including the corrosion properties of the heat carrying liquid used exclusively as heating medium and never as service water.
2. All heating bodies must be professionally installed in accordance with applicable standards in a closed hot water system completed in a professional manner under VDI 2035 with respect to protection against damage caused by corrosion and scale.
3. The corrosive effects of the environment in which the heating units are installed shall not exceed the surface finish requirements set out in the applicable standard.
4. Electric heating units shall be professionally installed in accordance with applicable standards and standard regulations regarding appliance location in bathrooms, IPX4 rating — Zone 2, IPX1 rating — Zone 3. Units with a heating rod must be stored at a temperature above — 5°C.

Warranty periods:

- bathroom pipe radiators, warranty period of 5 years for white and colour radiators, 2 years for chrome radiators (from delivery to the customer).
- two-year warranty for the electronic controller and the heating rod from the date of sale. All warranty repairs of electric heating units are to be carried out exclusively at authorized locations.

The warranty covers only manufacturing and/or material defects which occur during the warranty period.

The warranty can be claimed against this warranty card and the original purchase document (receipt) issued by the seller in respect of the product purchased. This document must include an identification of the product, the date of sale and the retail outlet stamp. Copies and receipts with missing data will not be accepted for warranty purposes. The warranty can be claimed directly with the seller.

The customer's right to warranty repairs shall be forfeited in the event that the heating units were:

- installed in buildings, at facilities or on premises where higher levels of humidity are a concern; this applies particularly to public toilets, car wash facilities, animal pens, indoor swimming pools, etc.;
- stored outdoors exposed to the elements and/or stored at temperatures below — 5°C;
- damaged and their water tightness compromised due to corrosion caused by, for example, inappropriate chemical composition of the heat-transfer fluid;
- deformed as a result of improper transport or exceeding the maximum operating excess pressure limit;
- mechanically damaged by the purchaser or in transit;
- unprofessionally installed or their framework was tampered with without approval of the seller;
- used for other than normal purposes, particularly for drying fabrics directly on the towel dryers without the use of the appropriate accessories, which causes damage to the surface finish;
- any changes made in the warranty card by an unauthorized person;
- failure to complete or loss of the warranty card.

The warranty shall not apply to wear beyond normal wear and tear. If no defect caused by the manufacturer is detected during the inspection or if warranty conditions are not met, all costs associated with said inspection and/or repair shall be borne by the purchaser.

All defective units sent by post must be properly wrapped in the original packaging.

10/21 800340795