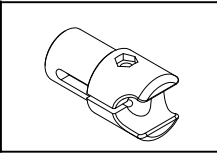
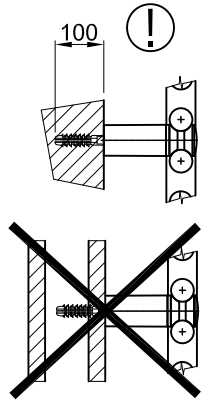
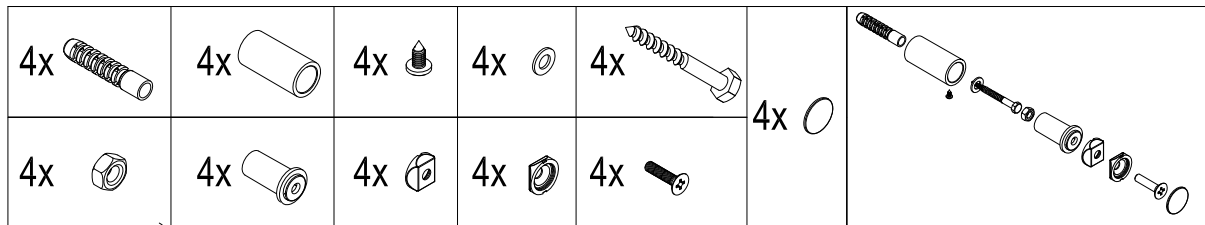
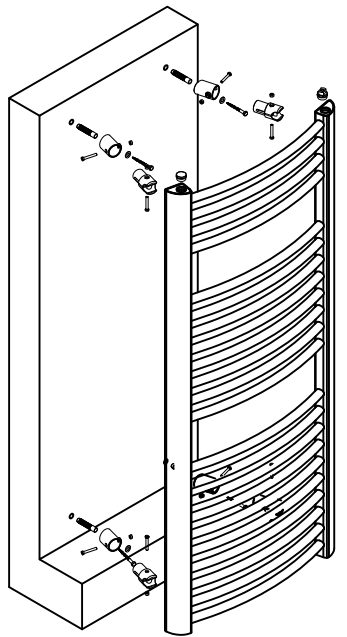
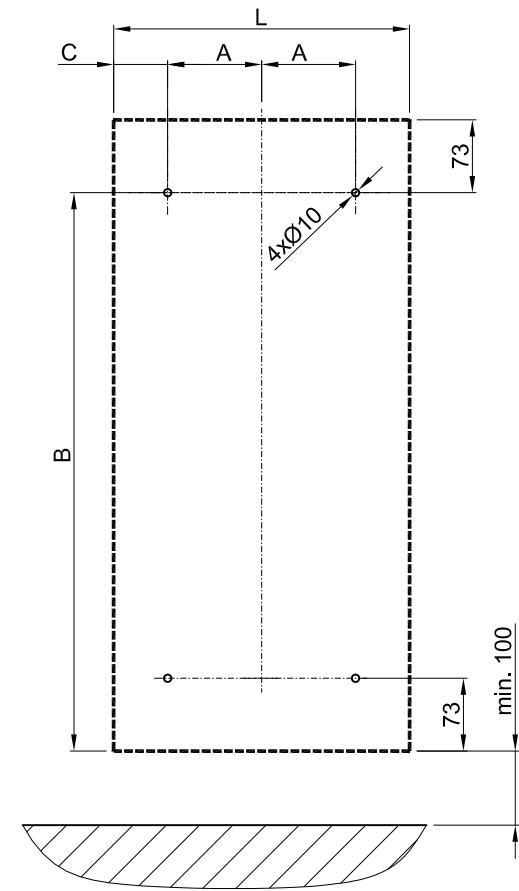
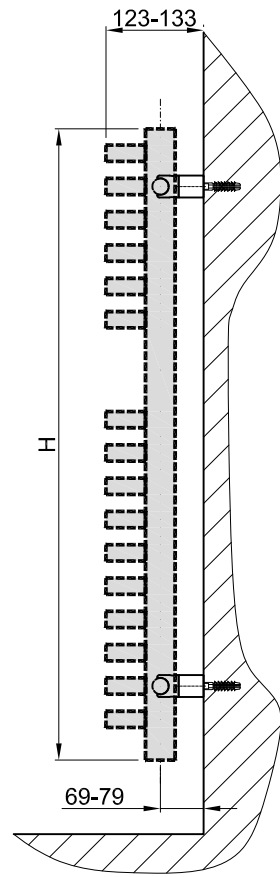
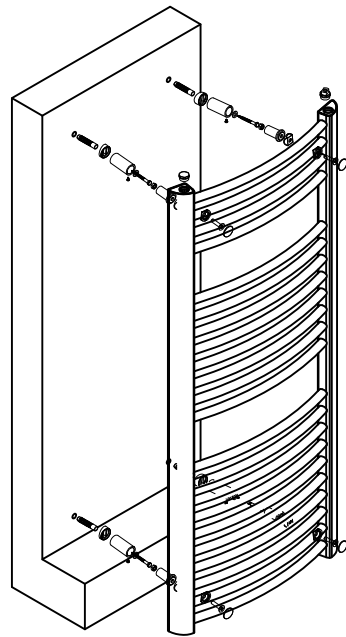
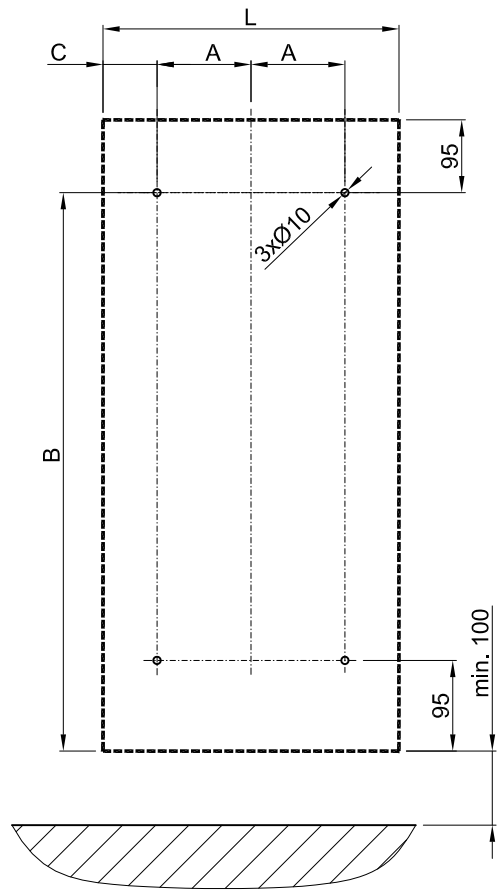
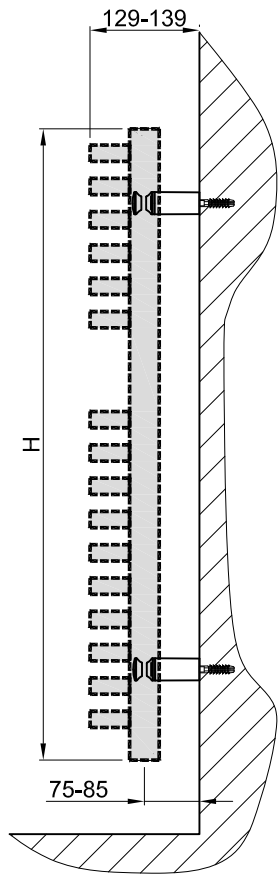


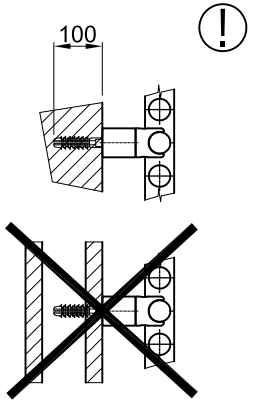
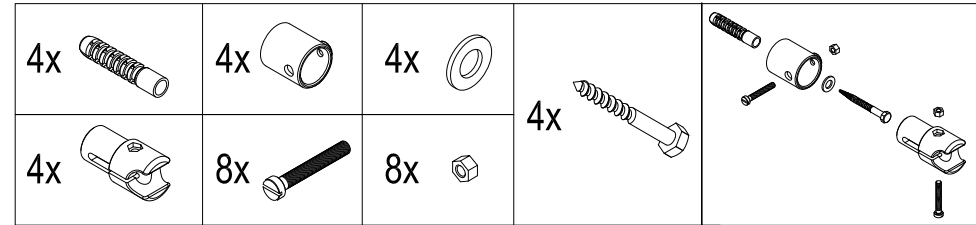
# SPIRA RADIUS



# SPIRA RADIUS



H/L [mm]	A [mm]	B [mm]	C [mm]
730/500	155	635	95
730/600	150	635	150
1180/500	155	1085	95
1180/600	150	1085	150
1765/500	155	1670	95
1765/600	150	1670	150



H/L [mm]	A [mm]	B [mm]	C [mm]
730/500	155	657	95
730/600	175	657	130
1180/500	155	1107	95
1180/600	175	1107	130
1765/500	155	1692	95
1765/600	175	1692	130