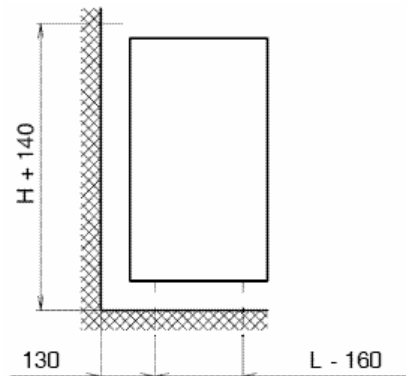
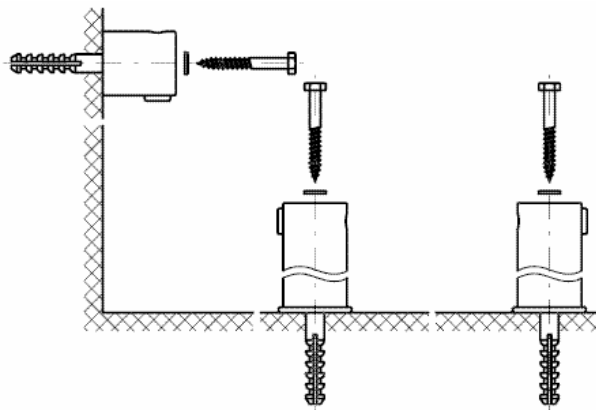


INSTRUCTIONS FOR INSTALLATION of tubular heating bodies - on the floor

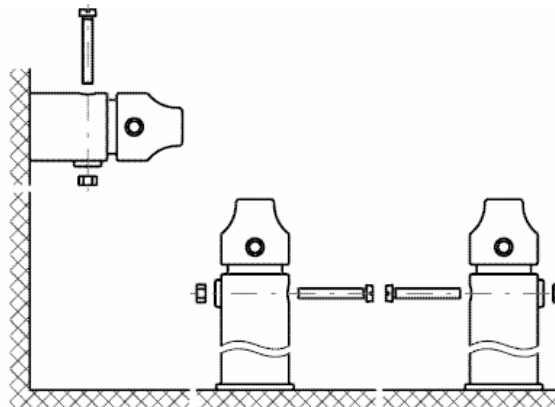
1. Drill \varnothing 10 mm holes for dowels in the wall and in the floor according to the picture. H = height and L = length of the body.



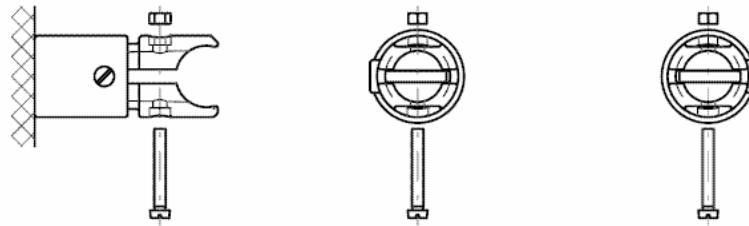
2. Screw the holder sleeve to the wall and screw the stands to the floor with wood screws and washers.



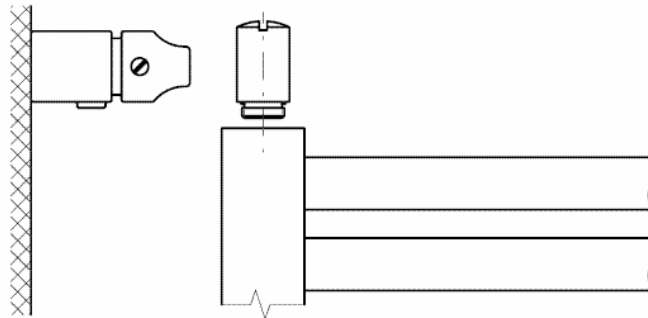
3. Insert the sliding holders in the holder sleeve and stands and secure them with screws and nuts - NOTE: the screw in the holder sleeve and the screws in the stands must be loose - do not tighten them!



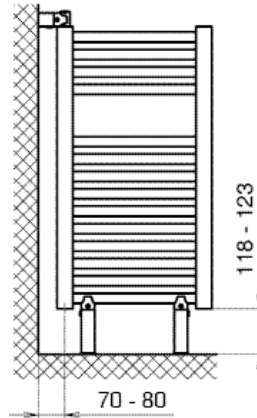
4. Insert the screws in the sliding holders and secure them with nuts – NOTE: the screws in the sliding holders must be 3-4 mm loose - do not tighten them!



5. Remove the corner covers from the heating body and the foil in the places to be attached. Screw the hanger in the upper socket.



6. Mount the heating body and tighten the screws in the sliding holders. Adjust the necessary heater distance from the wall or floor and tighten the screw in the holder sleeve and the in the stands.



7. Blind the unused connection socket with a vent plug. The plastic cover may serve as a temporary heater protection during subsequent work in the room.

WARNING!

Add a suitable anticorrosive agent specified in the manufacturer's instructions into the heating system water to prevent internal corrosion. Use detergents for heater cleaning. Do not step onto the heating bodies!