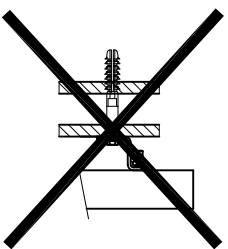
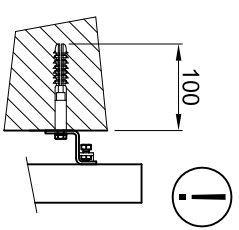
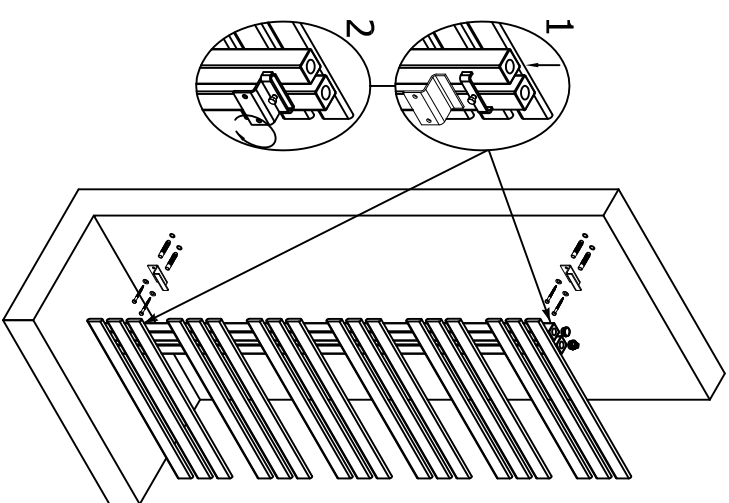
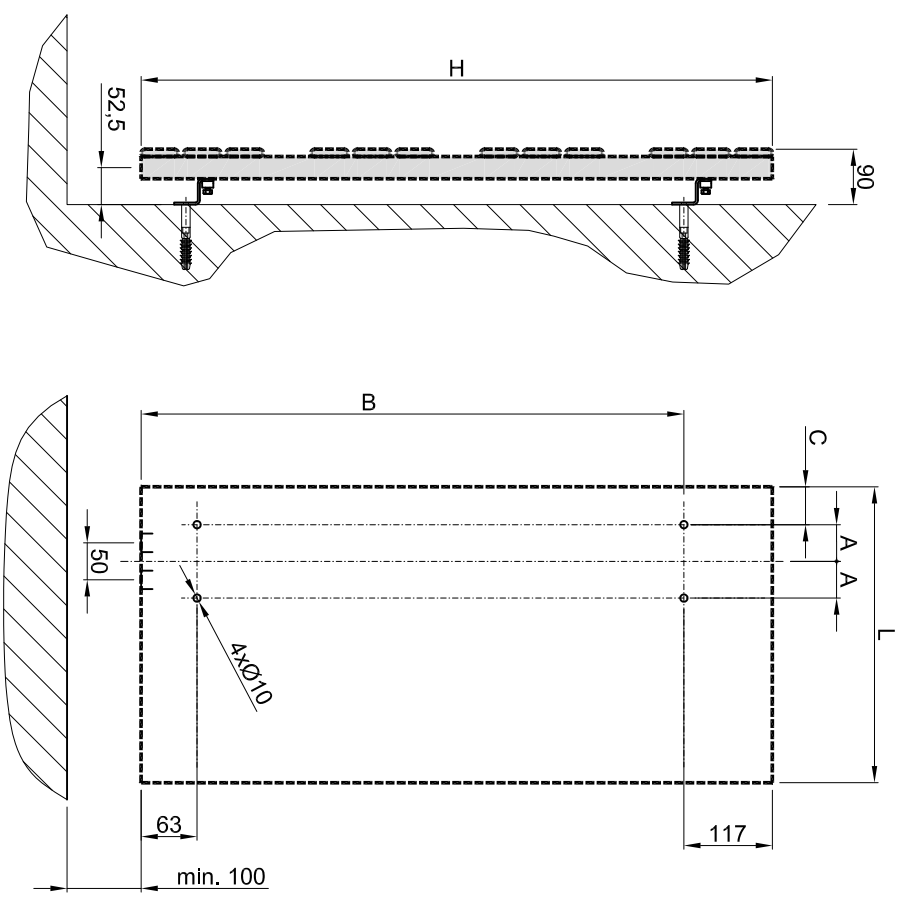
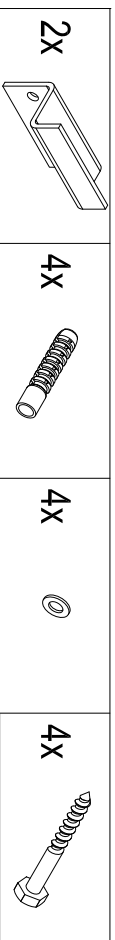


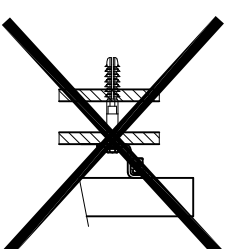
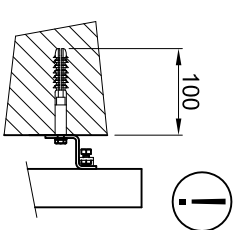
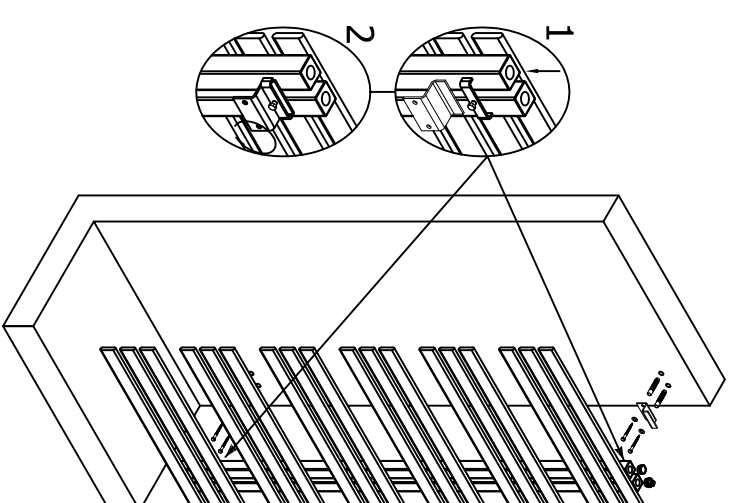
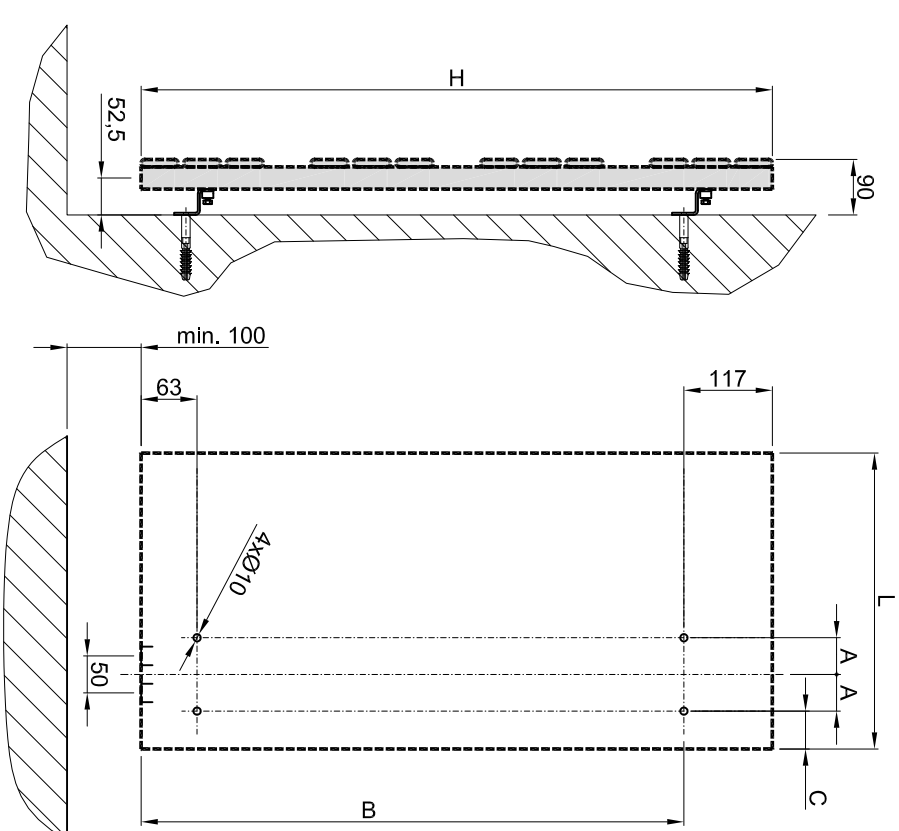
# MIRO PRAVÉ



H/L [mm]	A [mm]	B [mm]	C [mm]
1236/500	23	1119	70
1500/600	23	1383	70



# MIRO LEVÉ



H/L [mm]	A [mm]	B [mm]	C [mm]
1236/500	23	1119	70
1500/600	23	1383	70

