

ELECTRIC HEATING UNITS

PILLAR

(DPIL, DPIH radiator models with IPX4 ingress protection.)

User and Installation Guide



PILLAR DPIL



PILLAR DPIH



Accessories preview
One-sided rail
1 or 2 pcs

Electric heating unit
PILLAR DPIL 1800 0150

Electric heating unit with hooks
PILLAR DPIH 1800 0150

1. Introduction.....	3
2. Symbols	3
3. Safety Instructions and Operating Principles.....	4
3.1 General Overview	4
3.2 Design and Installation.....	5
3.3 Operation.....	6
3.4 Maintenance and Service.....	7
4. Disposal of Electrical Equipment	7
4.1 Equipment.....	7
4.2 Packaging	7
5. Description of the Electric Heating Unit	8
6. Electric Heating Unit Installation.....	9
7. Thermostat Installation, Control of the Electric Heating Unit	10
8. Rail installation.....	10
9. Power cable size reduction	11
10. Cleaning and Maintenance	12
11. Technical Data	12
11.1 Technical Parameters:.....	12

1. Introduction

You have purchased a modern product that meets the electrical equipment operating requirements for households and areas used for similar purposes. The product is equipped with state-of-the-art electronics and sensors to facilitate its control and operation, as well as safety features designed to monitor proper functioning in the event of unforeseen circumstances, such as a covered body of electric unit. The product is intended for wall installation.

The electric heating units provide a high level of heating comfort when combined with a wireless thermostat. The heaters are powered exclusively by electricity; no other source of heat is used. The digital programmable thermostat monitors the interior temperature and controls the function of the heating unit. The heating unit has electronics installed to ensure the maximum surface temperature is not exceeded and to reduce the heat output or disconnect the unit in the event of non-standard operating conditions.

Its typical application includes operation in dry environments such as flats, family houses, administrative buildings and corridors. The minimalist, subtle design lends itself well to installation in structured spaces, both on pillars and on interior walls. The product is also completely suitable for use in bathrooms. The IPX4 rating allows for Zone 2 installation. A practical model with DPIH hooks is also available. Products can be fitted with one or two practical rails (accessories).

Prior to installing and using the heater, please read this instruction manual carefully. Keep the manual in a safe place for future reference!

2. Symbols



Caution! Danger!
Non-compliance with this information may result in serious injury or material damage.



Electrical hazard!
Non-compliance with this information may result in serious injury or material damage from electric current.

3. Safety Instructions and Operating Principles

3.1 General Overview

Electric heating units are not to be used by people (including children) whose physical, sensory and mental debility or lack of experience or knowledge prevents them from the safe use of the appliance, unless they are supervised or instructed on the use of the appliance by a person responsible for their safety. Children should be supervised in order to prevent their playing with the appliance.



Children of less than 3 years should be kept away unless continuously supervised.



Children aged from 3 years and less than 8 years shall only switch on/off the appliance provided that it has been placed or installed in its intended normal operating position and they have been given supervision or instruction concerning use of the appliance in a safe way and understand the hazards involved. Children aged from 3 years and less than 8 years shall not plug in, regulate and clean the appliance or perform user maintenance.



This appliance can be used by children aged from 8 years and above and persons with reduced physical, sensory or mental capabilities or lack of experience and knowledge if they have been given supervision or instruction concerning use of the appliance in a safe way and understand the hazards involved. Children shall not play with the appliance. Cleaning and user maintenance shall not be made by children without supervision.



CAUTION! Some parts of this product can become very hot and cause burns. Particular attention has to be given when children and vulnerable people are present.

Tampering with the appliance or unprofessional servicing may pose a risk of serious injury or result in damage to the product. Any installation work, repairs, adjustments and modifications of the appliance must be carried out exclusively by a service engineer or a duly qualified person.



Any tampering with the component's heating units is prohibited. Do not dismantle and/or modify the equipment in any unprofessional manner. Otherwise, you run the risk of electric shock, fire or other injuries

Electric heating units can only be used for the purposes for which they were designed. Using the heaters contrary to the instructions in this manual can be dangerous.

Uses not mentioned or referenced in this manual will not be regarded as proper and/or intended. The operator of the appliance will be solely responsible for any resulting damage. Proper and correct use also includes adherence to the instructions provided in this manual.

3.2 Design and Installation

Each heating unit is an electrical device whose installation and commissioning must invariably be carried out by a qualified and duly licensed technician.

Provided with IPX4 protection, the heating unit is suitable for bathroom installation in Zone 2.

The unit is designed for installation into solid material. The installer will assess the bearing capacity of the wall on which the heater is to be mounted. Should the base material be insufficient for proper anchoring using the supplied mounting kit, the installer will proceed to modify the anchoring method accordingly. The person carrying out the installation is fully responsible for its correct execution.

The assembly, installation and operation of the appliance must comply with the laws, regulations and standards applicable in the destination country.

The assembly and installation must always be preceded by the completion of mains wiring with adequate line protection. A device with contacts no less than 3 mm apart when disengaged, designed to disconnect all poles of the appliance from the mains (hereafter referred to as the "main switch"), must be installed in the fixed power distribution system upstream of the appliance.

The heating unit must never be installed directly above a wall socket. The socket must always be easily accessible to facilitate prompt disconnection of the unit from the power source.

Prior to placing the electrical device into service, ensure that all required tests and inspections have been performed to verify its proper functioning in accordance with applicable regulations. The device must be installed in a manner that does not pose any threat to people, animals or property.

The electric source and supply must comply with applicable standards and be compatible with the required voltage, including the maximum current consumption requirements.



Voltage fluctuations in excess of 10% may cause damage to the appliance. The use of incorrect voltage may cause fire, electric shock and/or malfunction of the appliance.

The heater is considered to be a Class I appliance in terms of electric shock protection in accordance with EN 60 335-1.

Prior to connecting the appliance to mains, ensure that the rated voltage indicated on the data plate of the appliance matches the socket voltage.

Do not connect the appliance via an extension cord or adapter plug.

Avoid excessive bending and/or twisting of the supply cable to prevent its damage.

3.3 Operation



Do not expose people or animals to close proximity or direct contact with the heating surface. Doing so might result burns or adverse health effects.



Never cover the electric heating unit from above with fabrics or other materials. The heating surface must remain completely free of any covering material at the top and bottom. The warning label is located on the heater casing.

Make sure that the supply cable does not come into contact with hot surfaces or sharp objects.

Do not disconnect the appliance from the mains socket by pulling at the supply cable. This may damage the supply cable and/or the socket. Disconnect the cable from the socket by pulling at the plug of the supply cable.

If the appliance does not work or behaves abnormally, disconnect it immediately from the mains supply for at least 2 minutes. If, after reconnection, the appliance continues to function abnormally, also switch off the relevant circuit breaker/residual current device. Send the malfunctioning appliance to an authorized service centre for repair.

Disconnect the main power source prior to any substantial changes to the environment in which the appliance is installed (paint or glue application, etc.).

When handling the appliance or if the appliance is not to be used for extensive periods of time, switch off the main power switch before the appliance.

3.4 Maintenance and Service



Only clean the surface when the device is turned off.

Any repair or service work must be performed by a qualified servicing technician.

4. Disposal of Electrical Equipment

4.1 Equipment

Used electrical equipment must not be disposed of as regular municipal waste. Any such equipment should be delivered to designated collection facilities to ensure its proper disposal, recovery and recycling. Alternatively, in some EU Member States or other European countries, used products can be returned to the local vendor upon the purchase of an equivalent new product. Proper disposal of this product will help prevent potential negative impacts on the environment and human health, which could otherwise be caused by inappropriate waste handling of this product.



4.2 Packaging

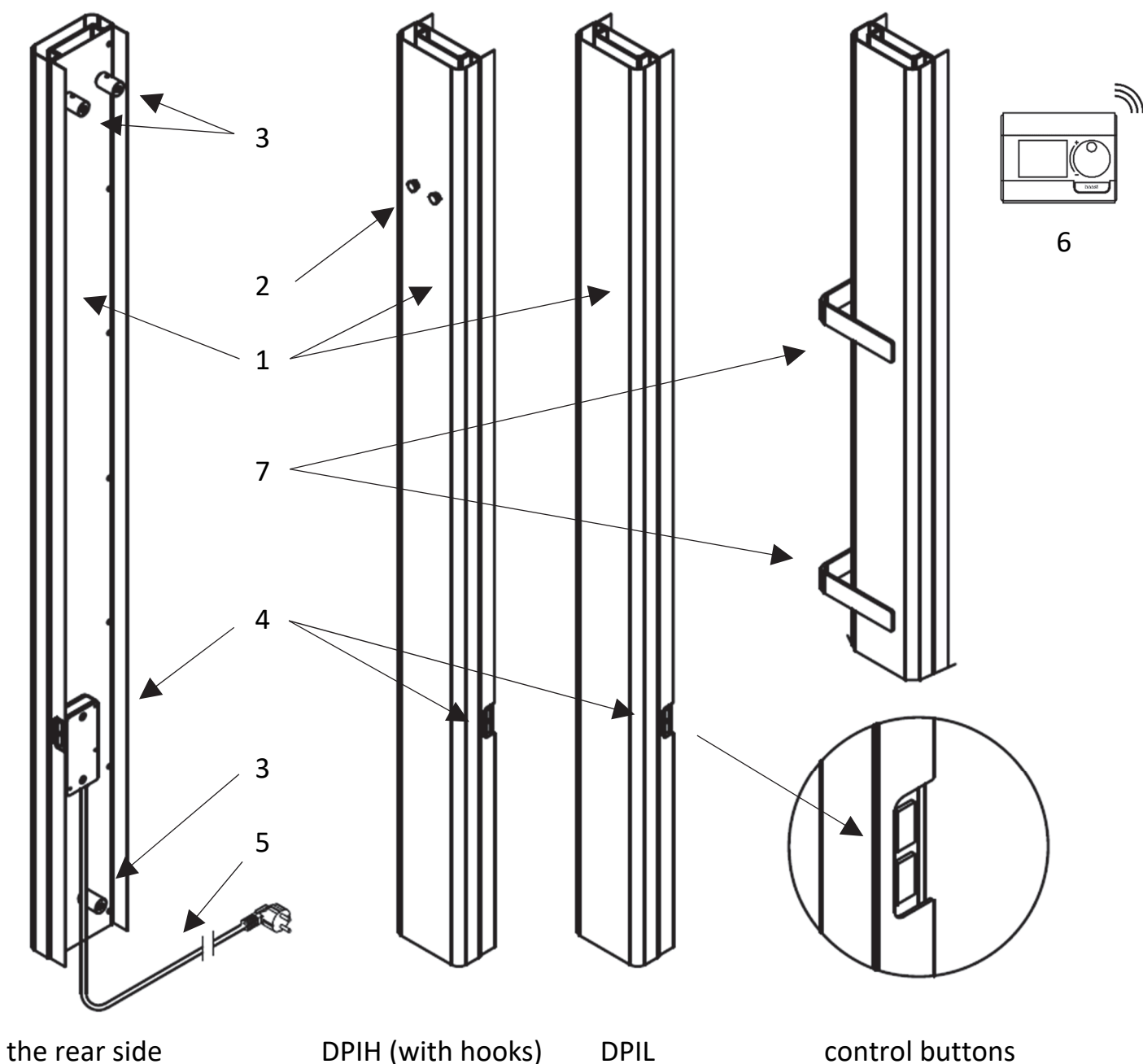
Used packaging handling instructions and information:

Do not allow children to play with used packaging. The appliance comes packaged in a plastic bag. Suffocation hazard! Used packaging should be recycled or deposited at a designated waste collection point.

5. Description of the Electric Heating Unit

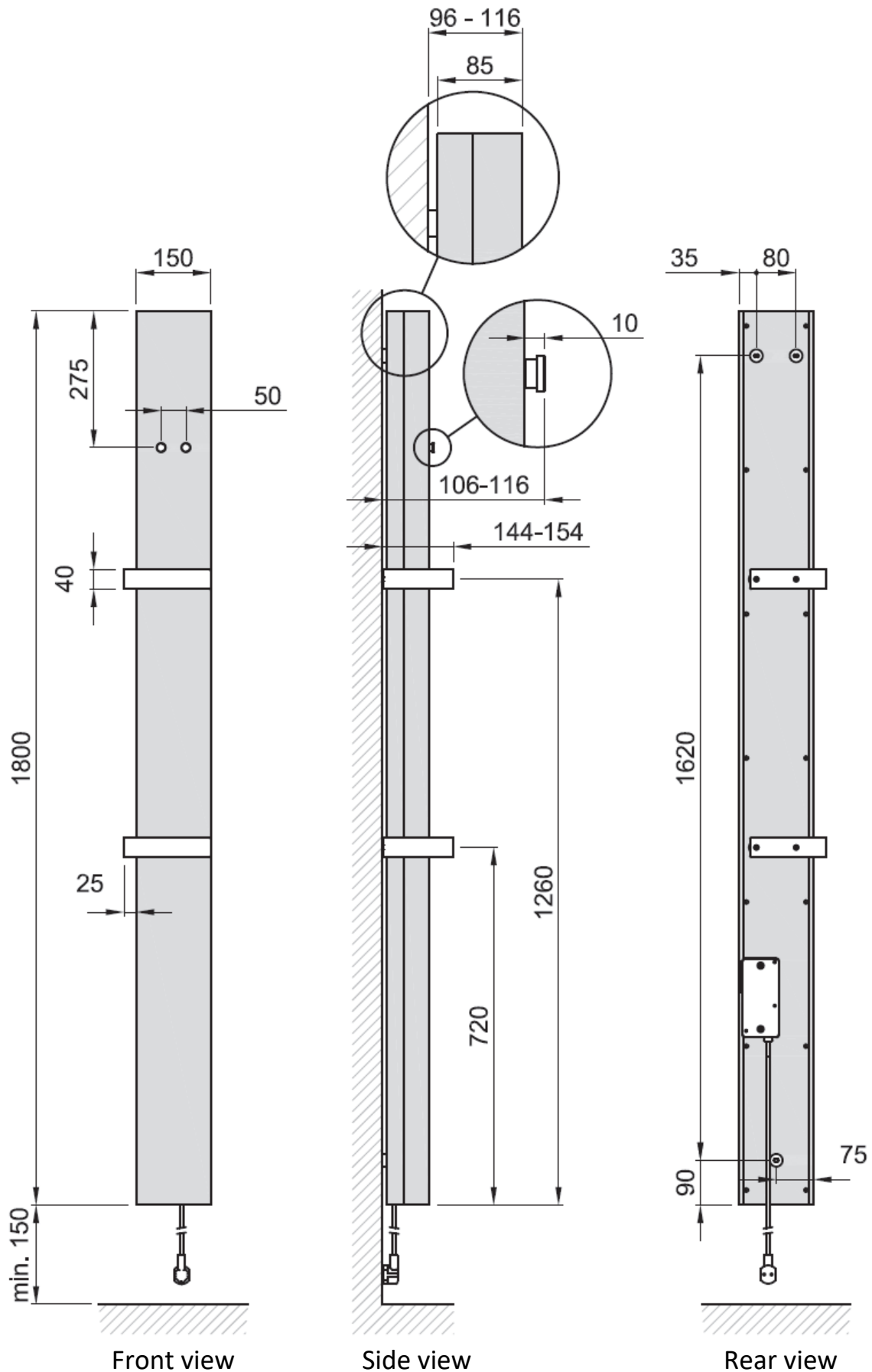
- 1 Heating surface** the heating surface of the heater, epoxy-polyester powder paint finish, customer-specified colour, optional theme of the customer's choice
- 2 Hooks** a pair of convenient hooks for fabric warming (DPIH model only)
- 3 Brackets** brackets for wall mounting
- 4 Receiver** a thermostat signal receiver, located on the rear side of the unit, side access to the control buttons and thermostat pairing
- 5 Connecting cable** a connecting cable with a plug 1,5 m
- 6 Thermostat** a wireless digital programmable thermostat, factory paired with a receiver, capable of controlling up to 5 devices
- 7 One-sided rail*** the rail can be installed either on the left side or the right side

* accessories to order



6. Electric Heating Unit Installation

Installation instructions are included with the heating element. Read it thoroughly before installation.



7. Thermostat Installation, Control of the Electric Heating Unit



The electric heating unit includes the programmable wireless room thermostat. The thermostat monitors the room temperature, switching on the heater whenever the temperature drops below the pre-set value. The set parameters can be checked on an easily legible digital display. The programming allows the user to adapt the heating to individual needs and presence in the home. Heating unit control using this digital thermostat ensures compliance with

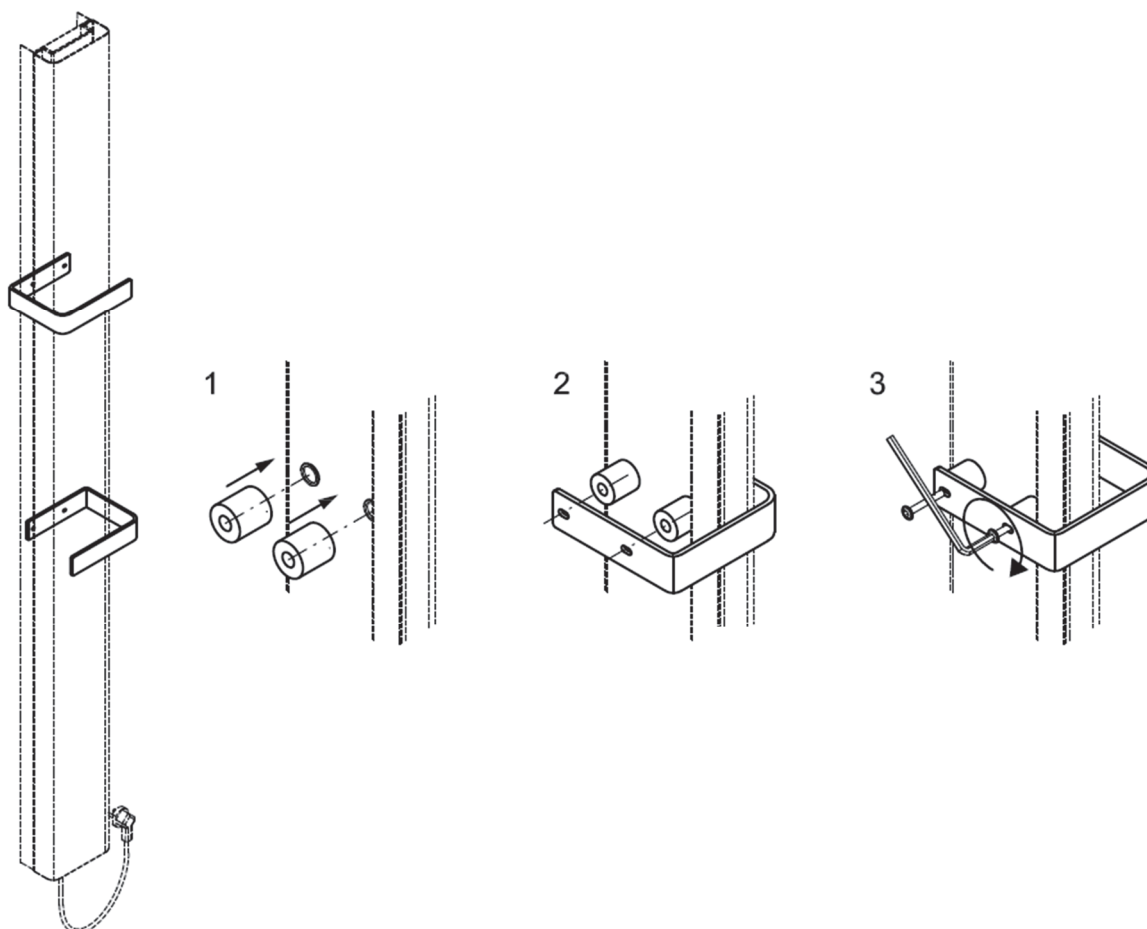
Commission Regulation (EU) 2015/1188) with regard to Ecodesign requirements.

The thermostat should be installed at a location with natural air circulation. Avoid placing the thermostat in places where indoor temperature measurement could be adversely affected: alcoves, windows, places warmed by direct sunlight, next to furniture, under shelves, behind open doors, etc. The unit is factory-paired with a receiver located on the rear side of the heater.

For more information see the manual enclosed with the thermostat.

8. Rail installation

View of rail installation from the rear side of the unit. The rail is an optional accessory.



9. Power cable size reduction

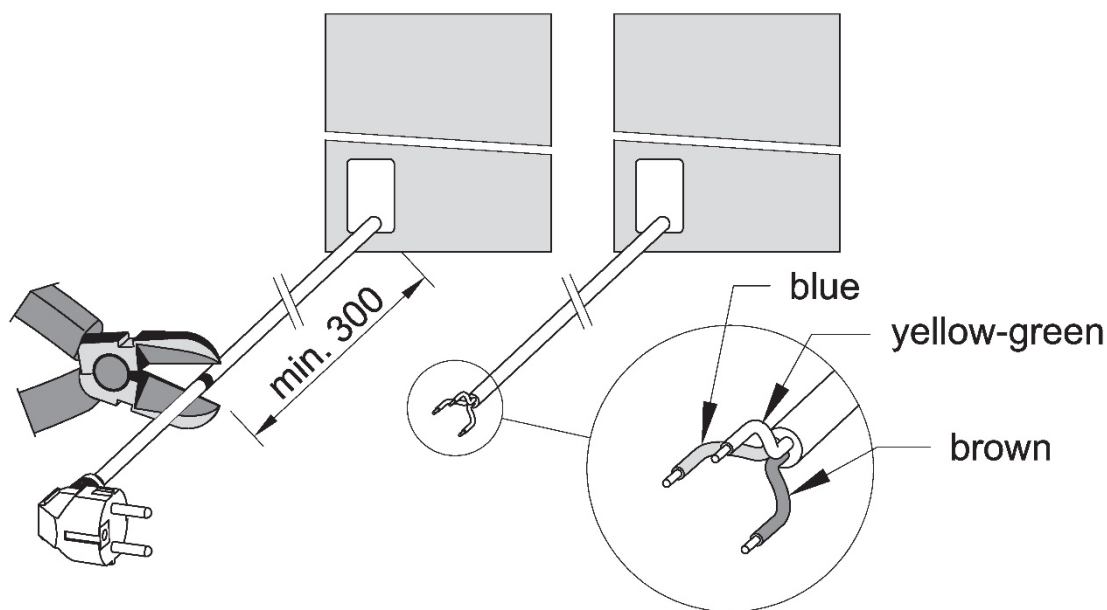
The length of the power supply cable can be reduced to allow its direct installation in a wall box or connection to a terminal designed for the cable, i.e. it is certified and rated for the given type of installation (e.g. an electric plug with an integrated switch).

CAUTION! The cable must extend at least 300 mm from the inlet to the heating unit, the thermostat receiver or regulator (according to the equipment installed) after it has been cut. No warranty claim or repair will be accepted, including defects not related to the shortening of the cable, if the length of the cable is less than 300 mm.

The reduction may only be carried out by a person with the appropriate electrical expertise! The external insulation of the cable and the insulation of individual conductors must remain intact. Avoid using cables with broken insulation.

All connections/wiring must be in compliance with the legislation of the country where the installation is performed, as well as with the rules for use in specific environments (e.g. bathrooms), the IEC 60364-7-701 standard in particular.

In this case, the rated degree of protection, IPX4, as declared by the manufacturer of the product, will not apply to the reduced end of the cable and/or any terminal.



The wiring of Class I equipment is as follows:

Brown (black):	L	phase 230 V AC / 50-60 Hz
Blue:	N	neutral conductor
Yellow-green:	PE	protective conductor (earth)

The manufacturer assumes no responsibility for any damage to the equipment or personal injury caused by improper installation of the cable, reversed polarity, insulation damage or any other intervention, connection or wiring that is not in compliance with the applicable regulations.

10. Cleaning and Maintenance

The electric heating unit requires no special maintenance. Keep the unit clean.

Do not use any abrasive or chemical cleaning agents to clean the designer surface of the heater; use a **wet cloth with some regular detergent** only. **Avoid causing damage to the surface.**



Prior to cleaning the heating surface, always turn the unit off.

11. Technical Data

11.1 Technical Parameters:

Rated voltage of the heating unit:	230 V AC, 50/60 Hz
Protection rating of the heating unit:	IPX4, use even in wet environments
Ambient conditions:	Ambient temperature: +2 to 40°C Relative humidity 20 – 70%
Max. surface temperature:	80°C
Power cord with plug:	1,5 m

Type	Model	Size	Max. power input
PILLAR	DPIL	1800/150 mm	900 W
PILLAR	DPIH	1800/150 mm	900 W

Control and regulation

Digital programmable wireless thermostat, powered by 2 x AA batteries