

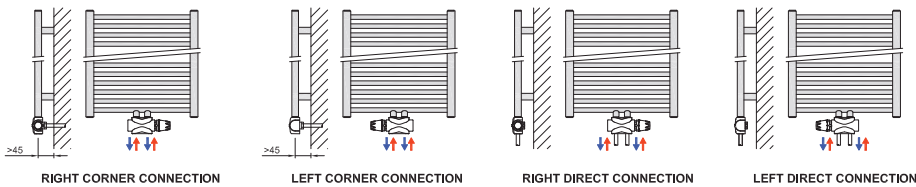


UNIVERSAL CENTER THERMOSTATIC VALVE

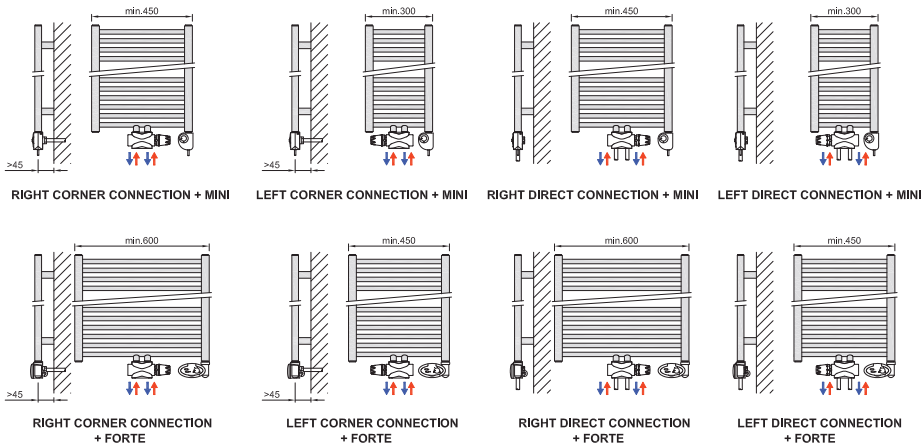
- four pipes connection (two for direct and two for corner connection)
- connection threads G1/2", connection span 50 mm
- arbitrary direction of flow through the valve
- it is possible to replace the thermostatic valve and lockshield valve (head can be on the left or right side)



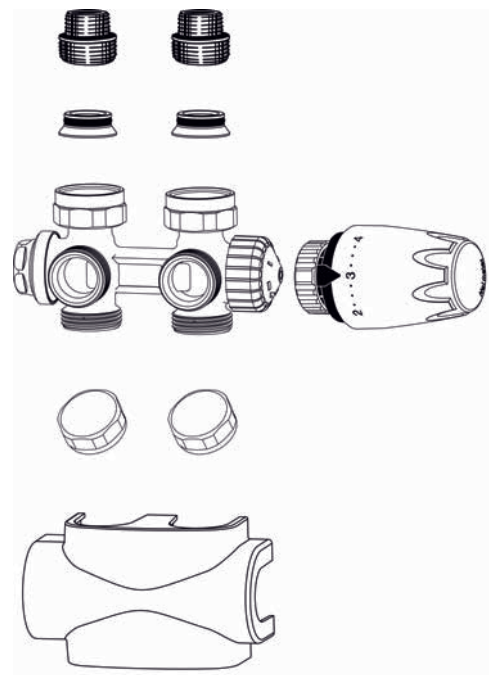
EXAMPLES OF CONNECTION



EXAMPLES OF CONNECTION IN COMBINATION WITH HEATING ROD



DRAWING



For more information please contact ISAN Radiátory s.r.o. • Poříčí 26, 678 33 Blansko, Czech Republic • tel.: +420 516 489 180, Fax.: +420 516 489 605 • E-mail: sales@isan.cz



WWW.ISAN.CZ

