

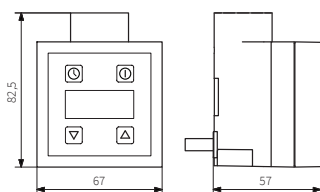


MELODY

Regulators and heating rods

KTX 3

The controller with an LCD display has four buttons. One of them is used for switching the controller on and off, two are for changing the parameter values (e.g. the temperature) and the last one is for manually operating the time functions - the clock, dryer and timer. The electric element heats the towel dryer while precisely controlling its temperature. It is normally installed on the bottom right side. For it to be installed on the bottom left side, this requirement must be specified in the order.

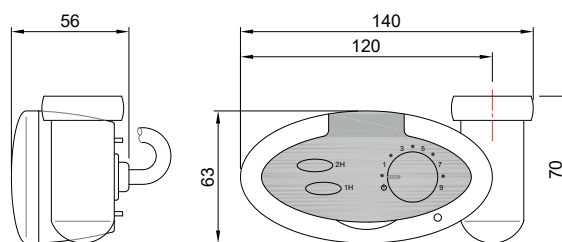


Technical data

Working voltage	230 V/50 Hz
Protection category	I
Degree of protection	IPX5
Temperature range of towel dryer	30–60 °C, in step 1 °C
Installation	on the right side (on the left - must be stated in the order)
Connection thread	G 1/2" outer (on the heating rod)
Connection	straight electric cable 150 cm ended by plug
Colour of regulator	white/chrome
Colour of cable	white/grey
Protection zone	2 and 3
Available heating rods	120 W–1 000 W

Forte PW

Forte regulator feature two buttons and a turning knob, which activates the thermostat. When in drying mode, the LED will be red; when on standby, it will be green. The knob is used to set the desired 20 - 100 % of nominal output from towel dryer. In the max. position, the drying remains constantly ON. The upper buttons switches the regulator to full output for a period of 2 hours/ the lower button for 1 hour. The led flashes red. It then reverts to the original setting. Installation is in the lower right-side flow pipe only (left-side only for Koro, K. Extra and K. Plus).



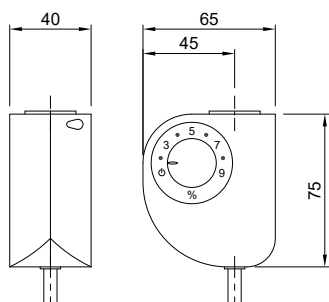
Technical data

Working voltage	230 V/50 Hz
Protection category	I
Degree of protection	IPX4
Working temperature	0–50 °C
Working humidity	0–85 % (without condensation)
Power range	20-100 % of the nominal output of towel dryer
Installation	on the right side (on the left for models Koro, Koro Extra, Koro Plus)
Connection thread	G 1/2" outer (on the heating rod)
Connection	straight electric cable 120 cm ended by plug
Colour of regulator	white/chrome
Colour of cable	white/grey
Protection zone	2 and 3
Available heating rods	200 W–1 200 W



Mini PW

A basic regulator with a thermostat. Regulation 20 - 100 % of nominal output towel dryer via a turning knob. In the min. position the regulator is OFF; while in the max. position, it remains constantly ON. Installation is in the lower right-side flow pipe only (left-side installation available only for Koro, Koro Extra and Koro Plus models).



Technical data

Working voltage	230 V/50 Hz
Protection category	I
Degree of protection	IPX4
Working temperature	0-50 °C
Working humidity	0-85 % (without condensation)
Power range	20-100 % of the nominal output of towel dryer
Installation	on the right side (on the left for models Koro, Koro Extra, Koro Plus)
Connection thread	G 1/2" outer (on the heating rod)
Connection	straight electric cable 120 cm ended by plug
Colour of regulator	white/chrome
Colour of cable	white/grey
Protection zone	2 and 3
Available heating rods	200 W-1 200 W

Z - heating rod

The Z heating rod without a controller is installed on the bottom right side as standard. For it be installed on the bottom left side, this requirement must be specified in the order.



Technical data

Working voltage	230 V/50 Hz
Protection category	I
Degree of protection	IP44
Installation	on the right side (on the left - must be stated in the order)
Connection thread	G 1/2" outer
Connection	coiled electric cable 120 cm ended by plug (in the stretched state - max. 280 cm)
Colour of cable	white
Protection zone	2 and 3
Available heating rods	200 W-1 350 W