

TAILORED RADIATORS



Please make a copy for following using.

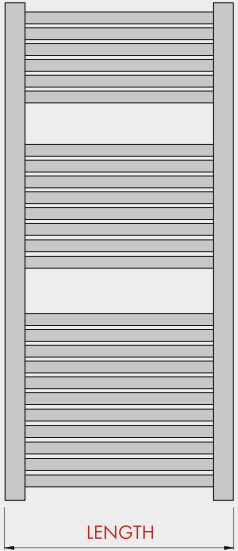
ORDER NUMBER

CUSTOMER
Company _____
Tel./fax _____
Contact person _____
E-mail _____

PRODUCT
Radiator type _____
Colour (RAL) _____
Please fill in all required information. The later complaints shall not be considered.

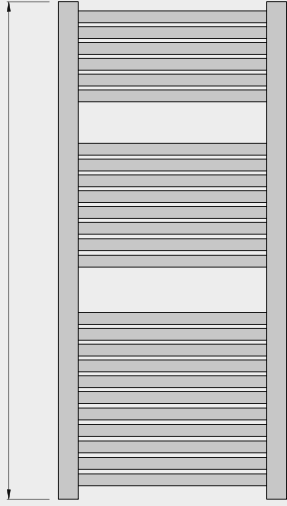
LENGTH ADAPTATION

Length _____ mm



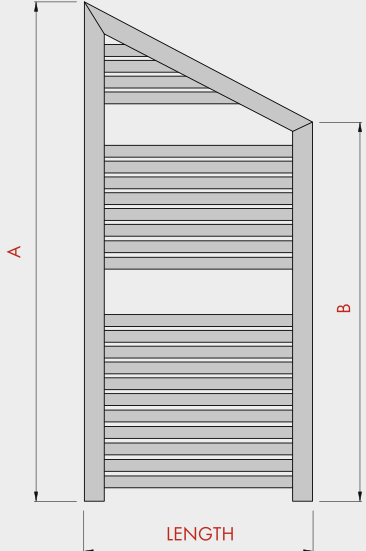
HEIGHT ADAPTATION

Height _____ mm



BEVELLING

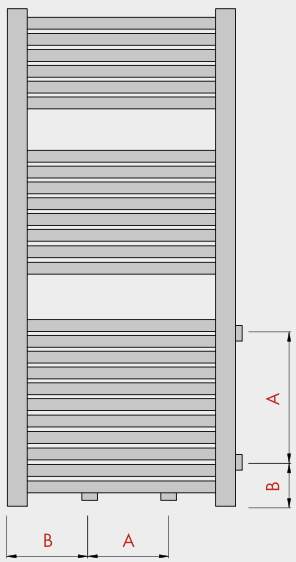
Height A _____ mm
 Height B _____ mm
 Length _____ mm



CONNECTION OPTIONS

- side left
- bottom
- side right

Span A _____ mm
 Span B _____ mm



FULL FRAME

Height _____ mm
 Length _____ mm

