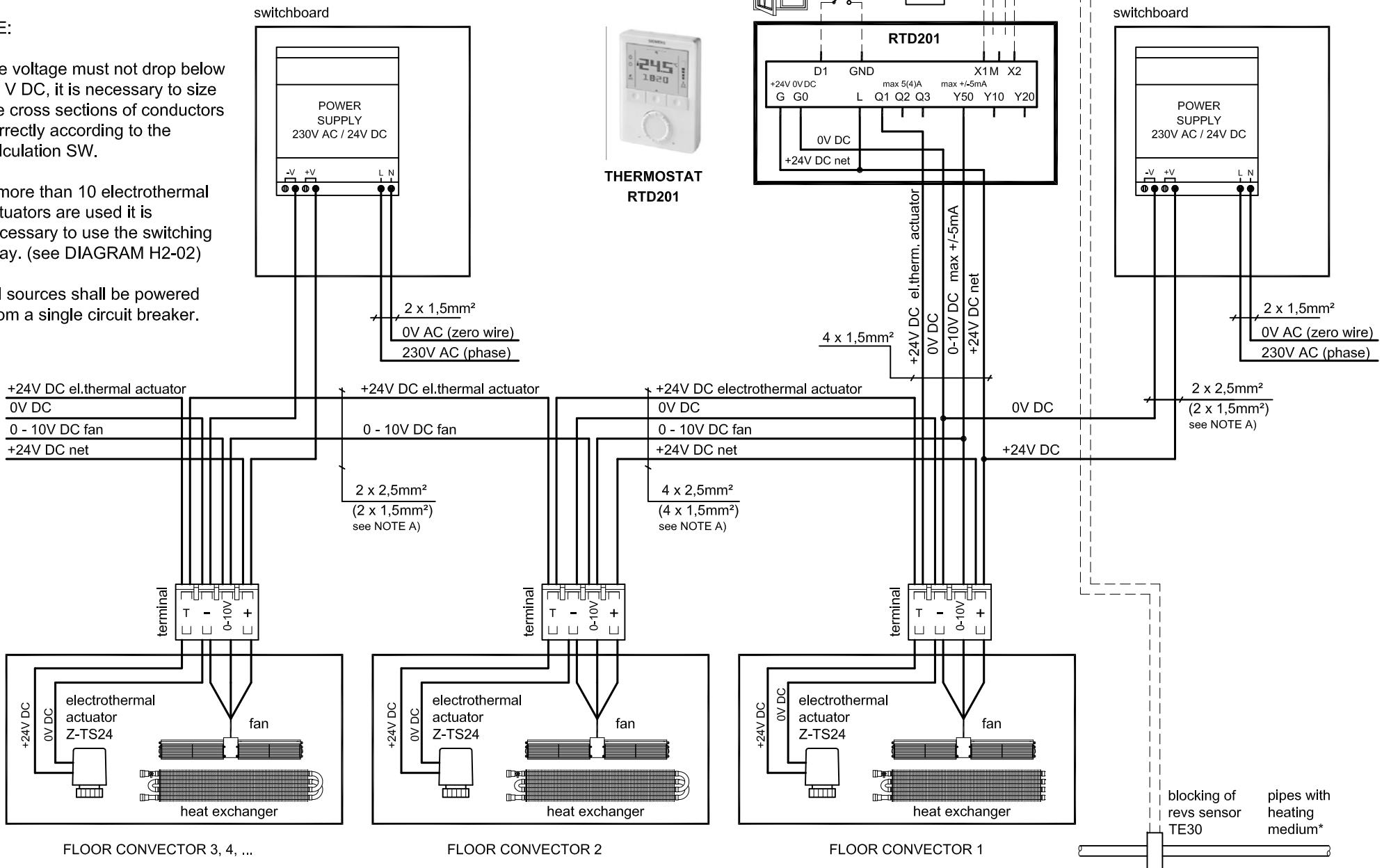
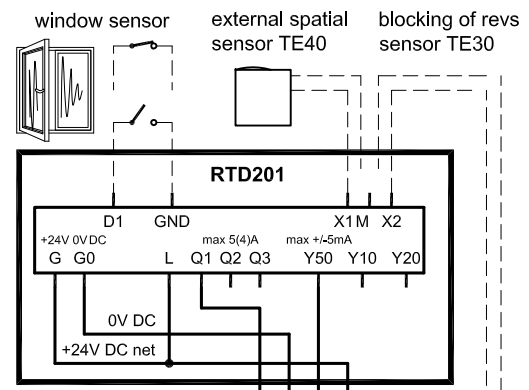


Connection with more power supplies DR (DRP)
2 PIPE, ONLY HEATING, THERMOSTAT RTD201

DIAGRAM H2-03
ONLY HEATING, 2 PIPE SYSTEM
Version: 20150820

- NOTE:
- A) The voltage must not drop below 22 V DC, it is necessary to size the cross sections of conductors correctly according to the calculation SW.
 - B) If more than 10 electrothermal actuators are used it is necessary to use the switching relay. (see DIAGRAM H2-02)
 - C) All sources shall be powered from a single circuit breaker.



*sensor has to be placed on pipe where the heating medium flow freely - independently to closed pipe branch by electrothermal actuator