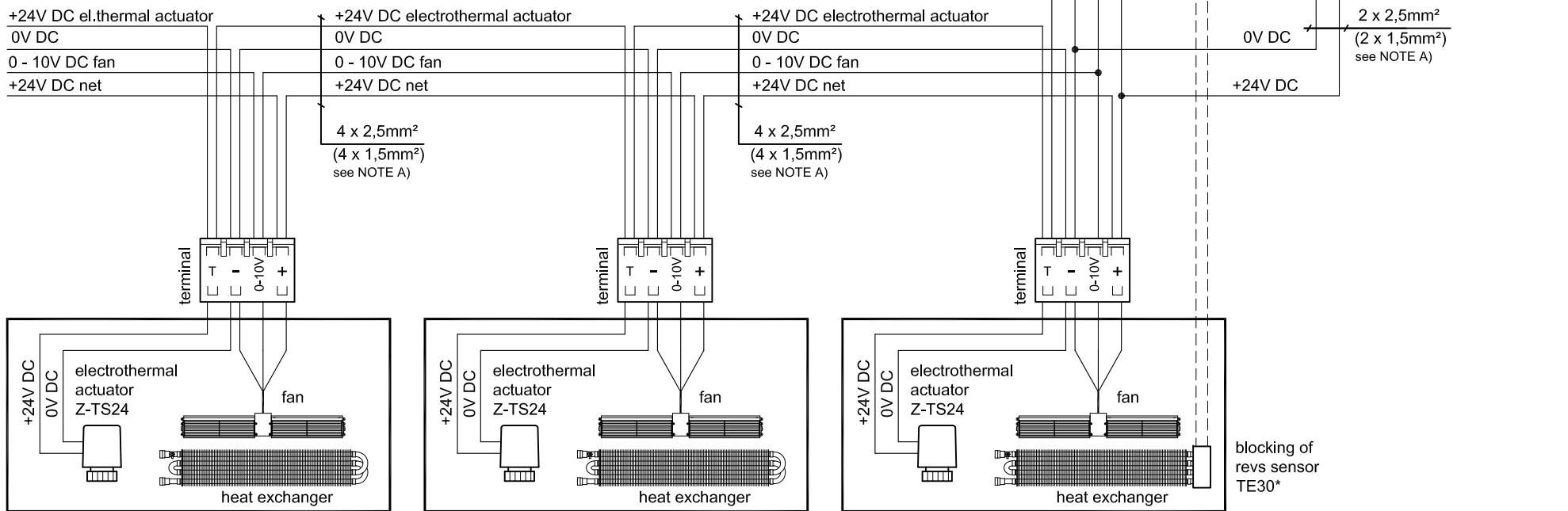
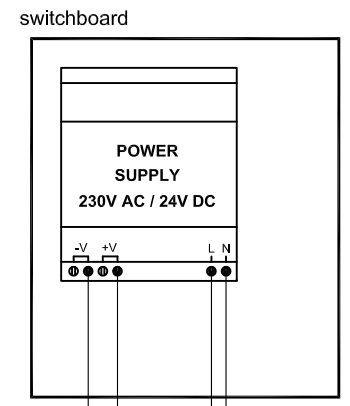
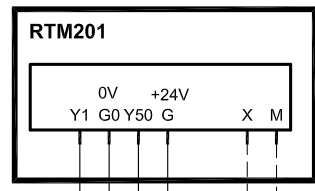
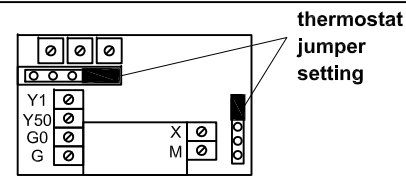


Basic connection New Practic FRT
2 PIPE, ONLY HEATING, THERMOSTAT RTM201

DIAGRAM H2-21
ONLY HEATING, 2 PIPE SYSTEM
Version: 20160225

NOTE:

- A) the voltage must not drop below 22V DC, it is necessary to size the cross sections of conductors correctly according to the calculation SW
- B) If more than 4 electrothermal actuators are used it is necessary to use the switching relay (see DIAGRAM H2-22)
- C) If the capacity of the switching source is insufficient use more power supplies (see DIAGRAM H2-23).



TRENCH HEATERS 3, 4, ...

TRENCH HEATER 2

TRENCH HEATER 1

* accessories