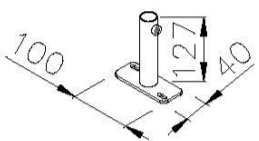
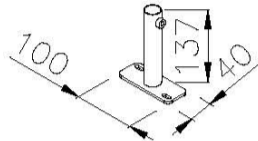


Model	A	B	C
Ø57xØ137	24	L-155	22
Ø76xØ156	24	L-200	22

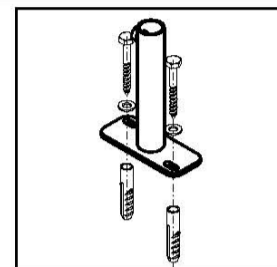
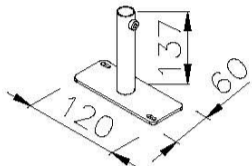
Ø32



Ø57, Ø76



Ø89, Ø108

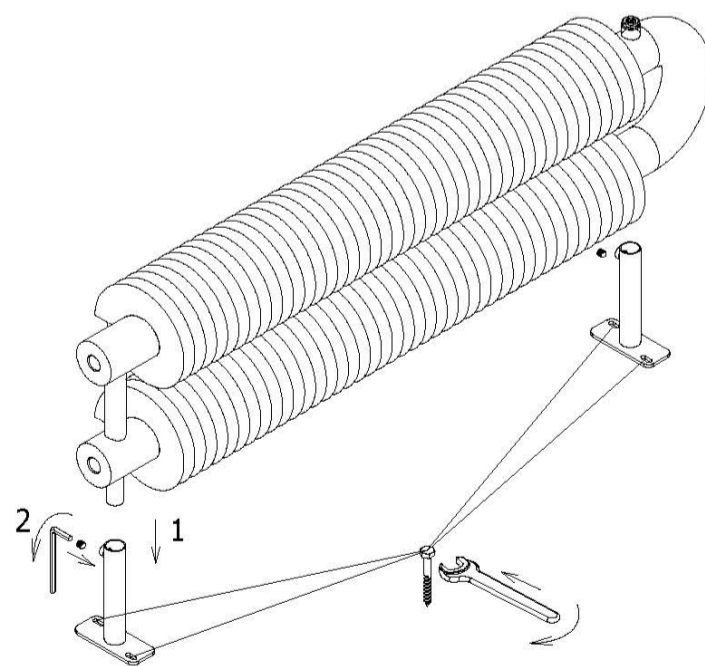
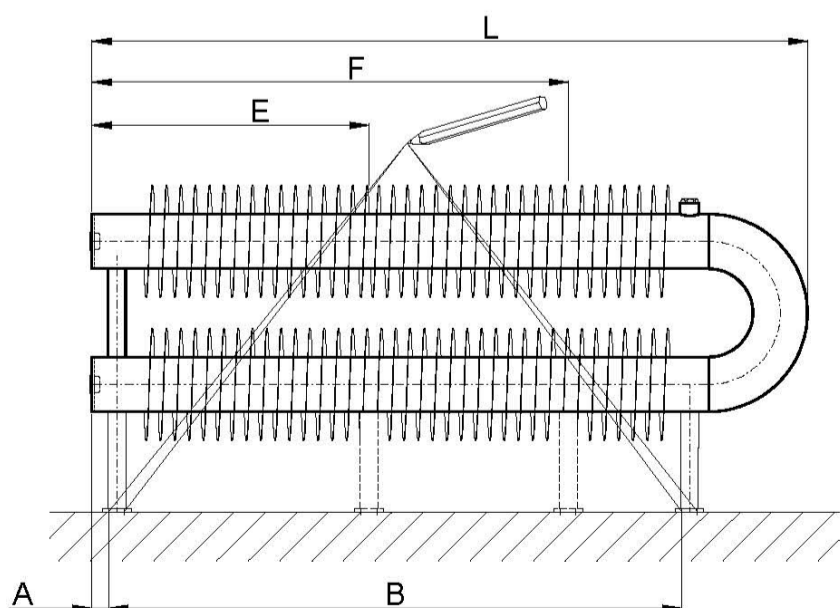
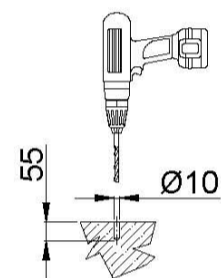
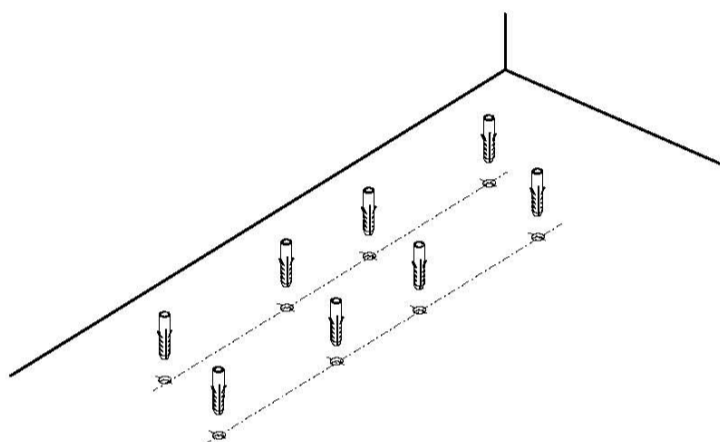


Ø32

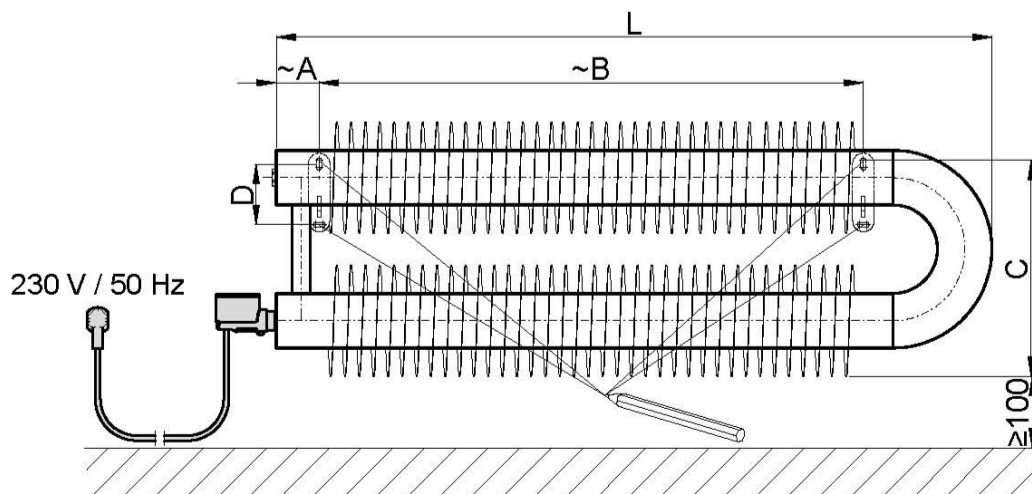
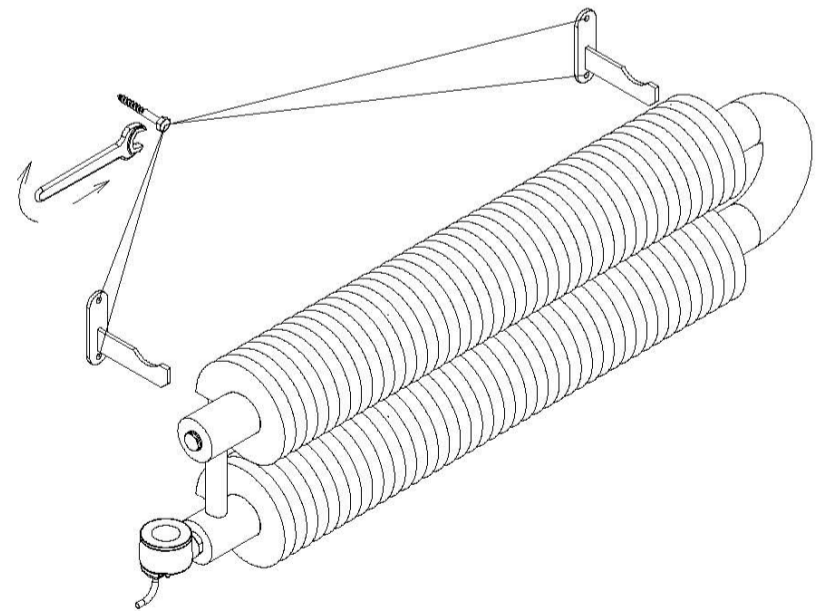
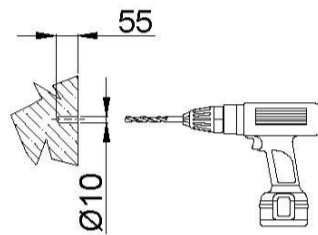
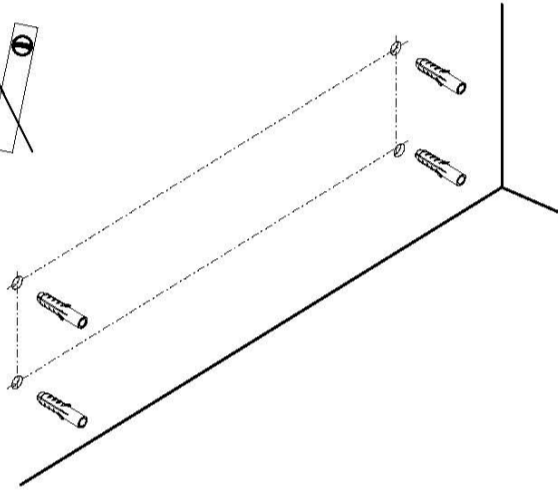
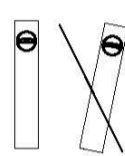
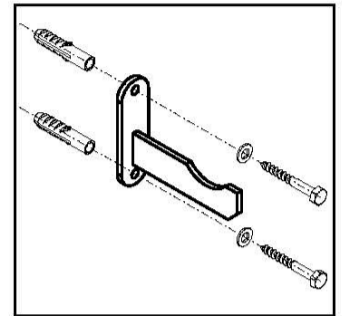
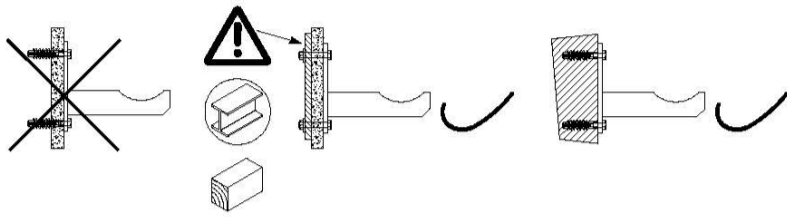
4x Ø10 (L=500-2900)
6x Ø10 (L=2901-4500)
8x Ø10 (L=4501-6000)

Ø57, Ø76, Ø89, Ø108

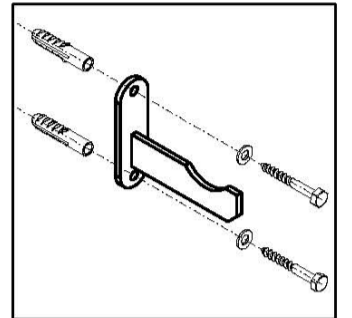
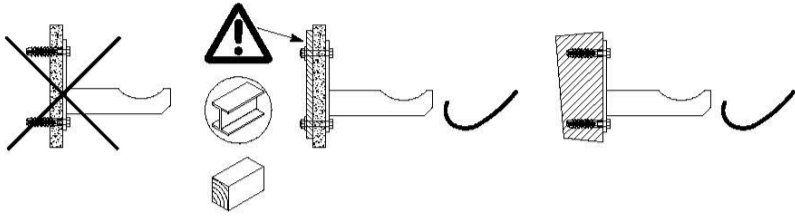
4x Ø10 (L=500-3000)
6x Ø10 (L=3001-4500)
8x Ø10 (L=4501-6000)



Model	A	B	E=0, F=0	E= \sim L/2, F=0	E= \sim 1/3L, F= \sim 2/3L
Ø32xØ92	14	L-110	L<2900	L=2901-4500	L>4501
Ø57xØ137	24	L-155	L<3000	L=3001-4500	L>4501
Ø76xØ156	24	L-200			
Ø89xØ169	14	L-220			
Ø108xØ188	14	L-245			

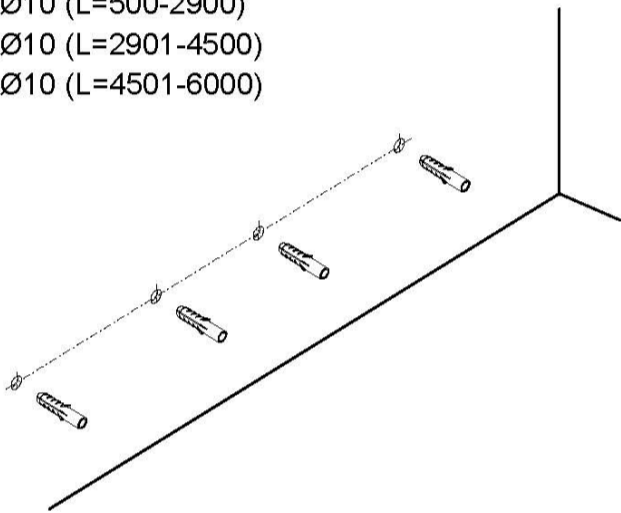


Model	A	B	C	D
Ø57xØ137	60	L-210	235	80
Ø76xØ156	60	L-240	302	90



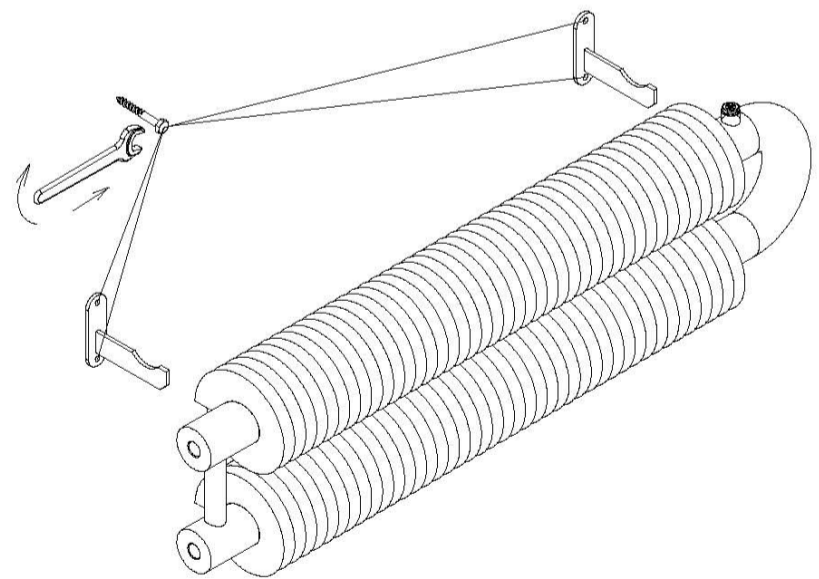
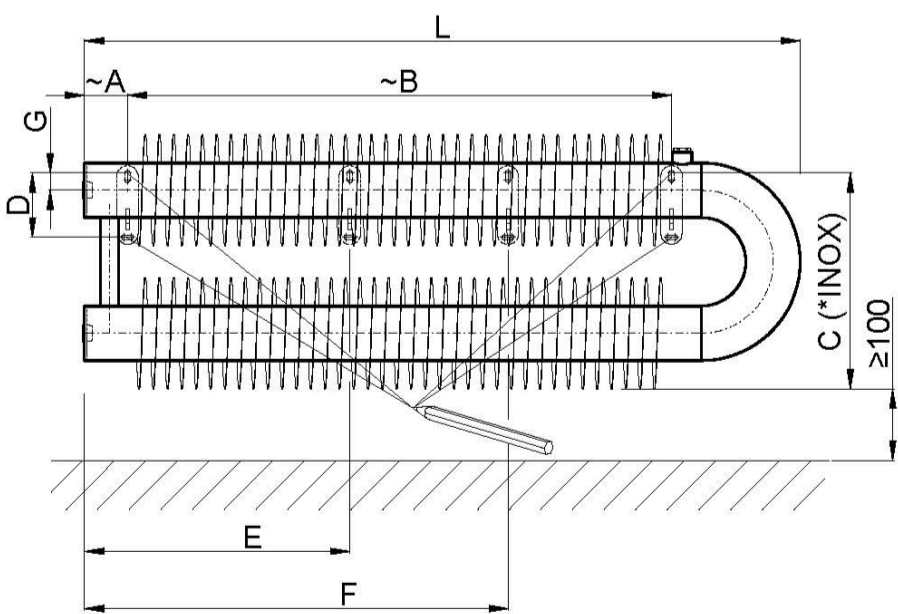
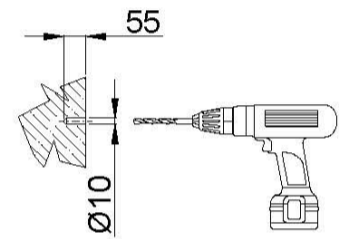
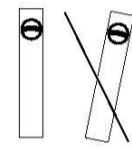
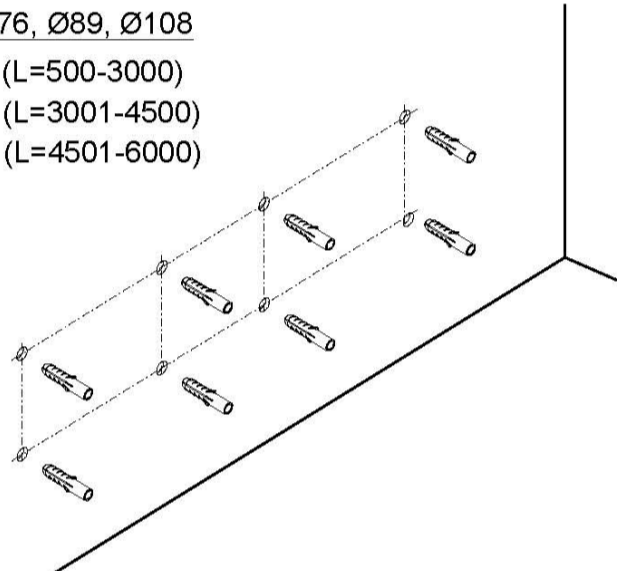
Ø32

- 2x Ø10 (L=500-2900)
- 3x Ø10 (L=2901-4500)
- 4x Ø10 (L=4501-6000)



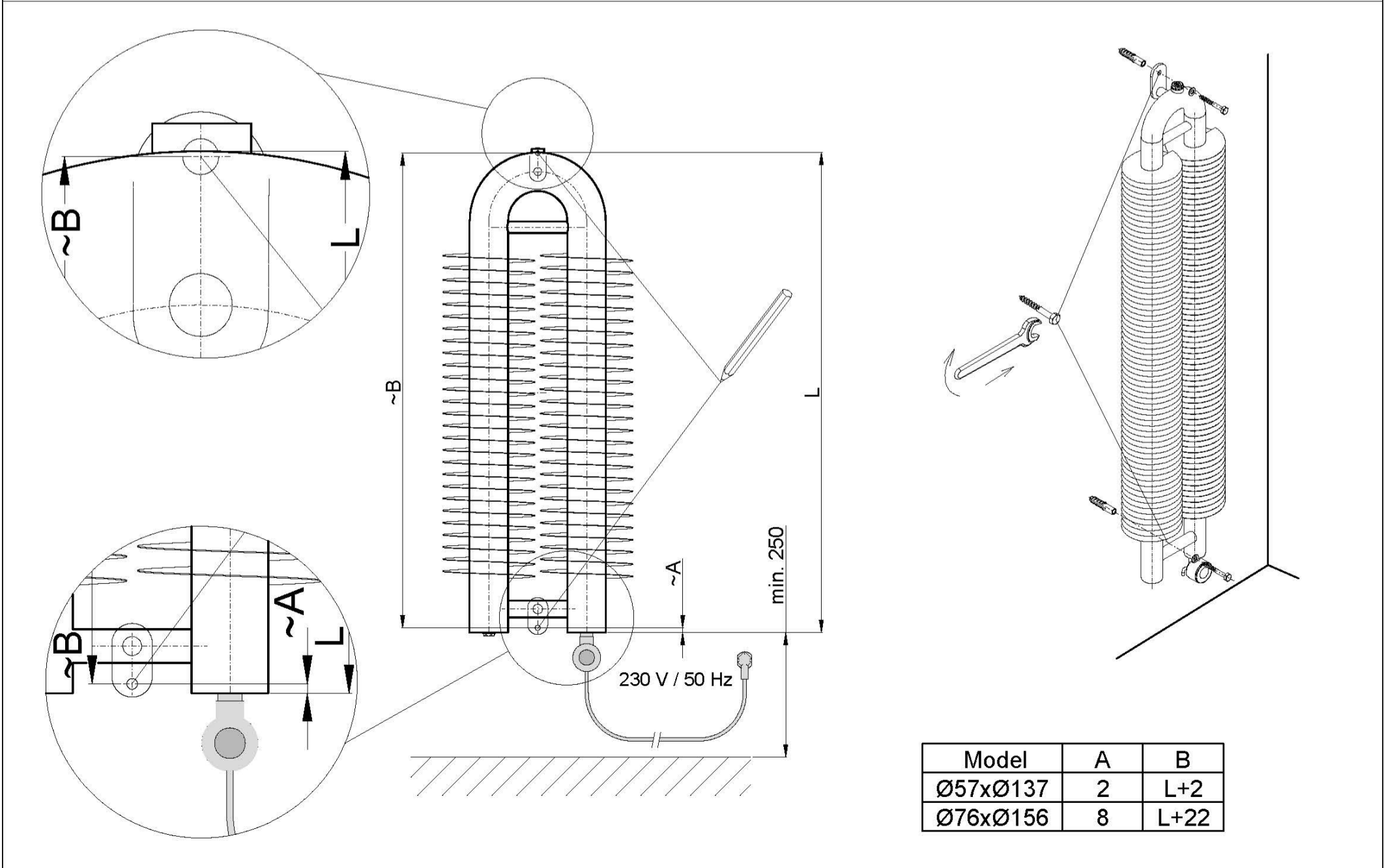
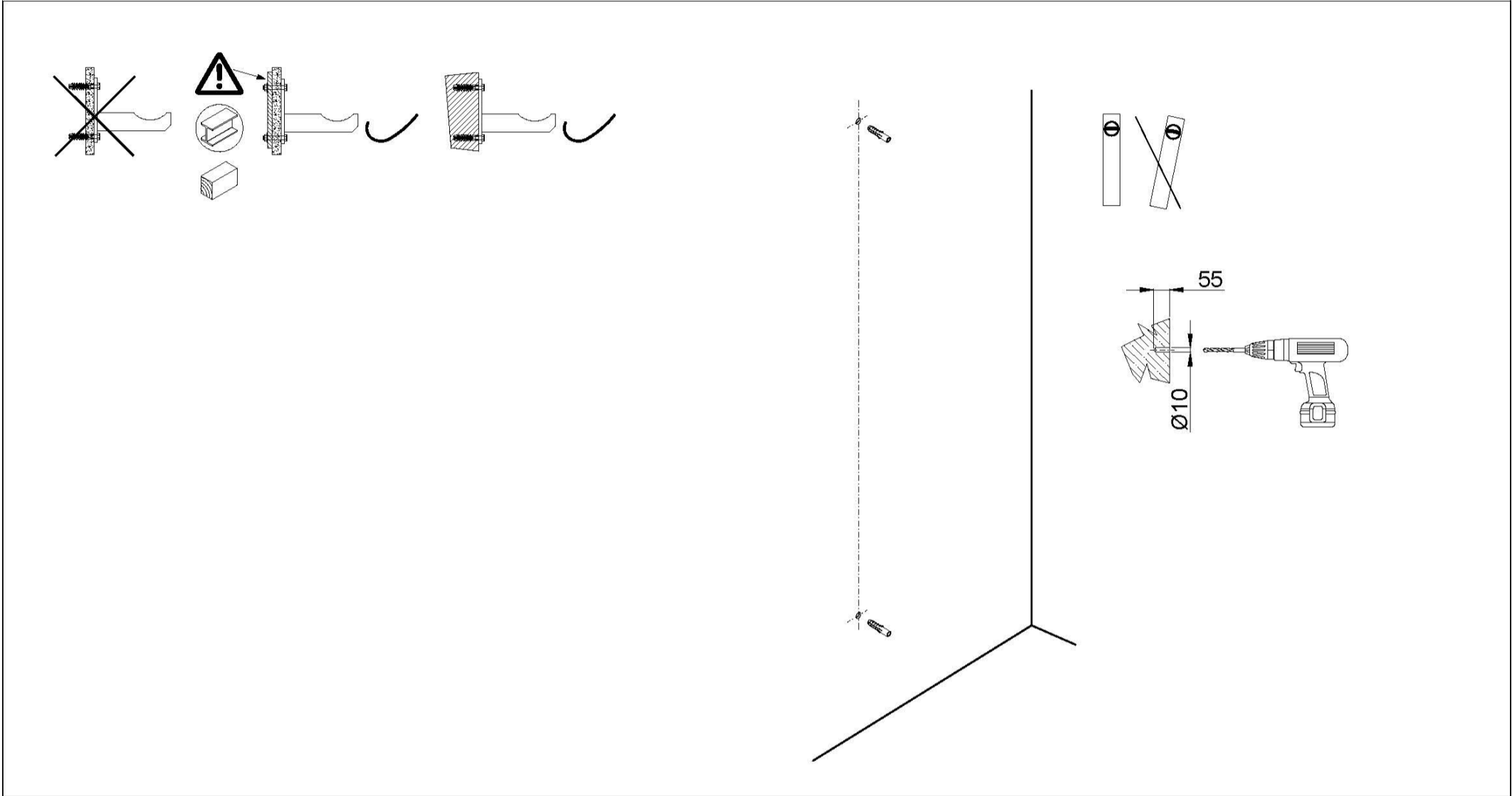
Ø57, Ø76, Ø89, Ø108

- 4x Ø10 (L=500-3000)
- 6x Ø10 (L=3001-4500)
- 8x Ø10 (L=4501-6000)

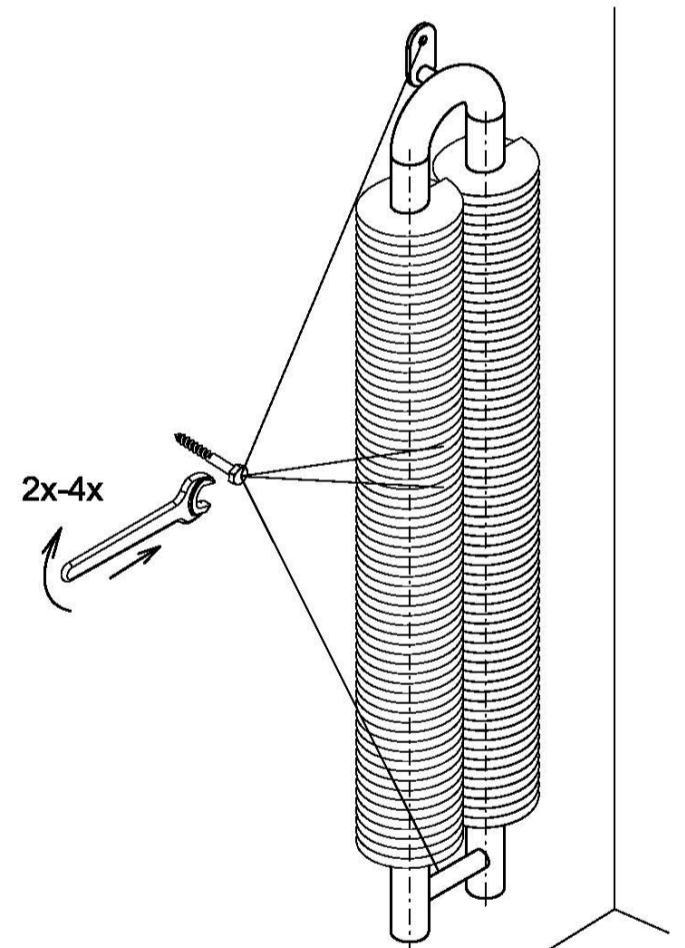
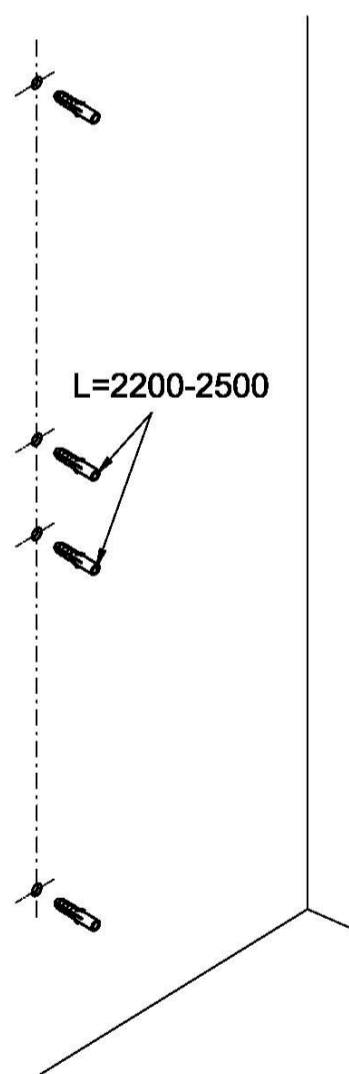
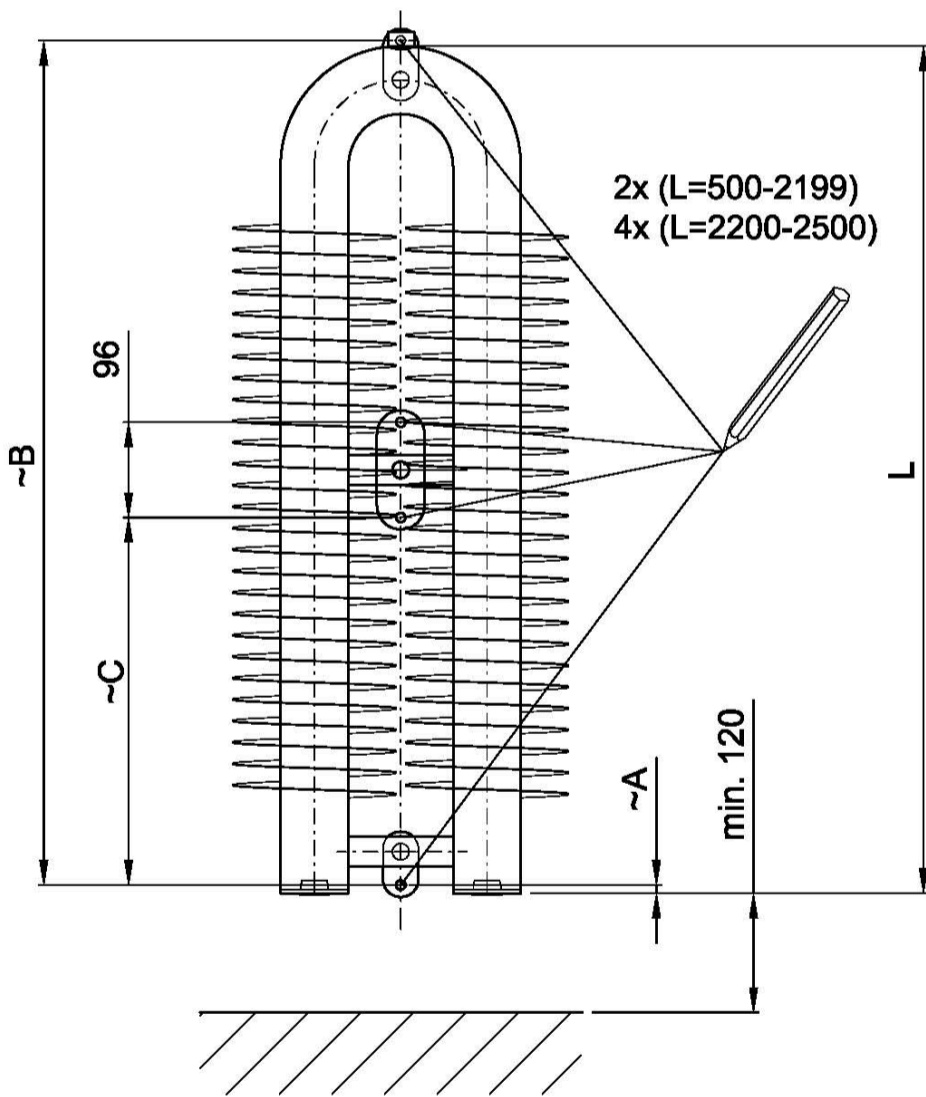
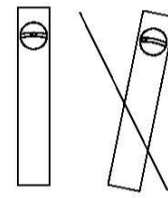
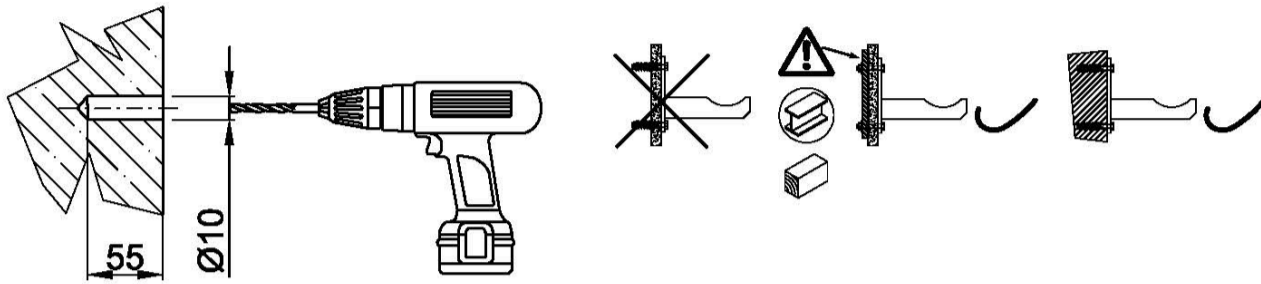


Model	A	B	C	D	G	E=0, F=0	E=~L/2, F=0	E=~1/3L, F=~2/3L
Ø32xØ92	40	L-140	180	-	39	L<2900	L=2901-4500	L>4501
Ø57xØ137	60	L-210	235 (*265)	80	22	L<3000	L=3001-4500	L>4501
Ø76xØ156	60	L-240	302 (*297)	90	24			
Ø89xØ169	60	L-260	338	95	18			
Ø108xØ188	60	L-290	405	105	16			

RAO2



Model	A	B
Ø57xØ137	2	L+2
Ø76xØ156	8	L+22



typ	A	B	C
$\varnothing 32 \times \varnothing 92$	2	L+5	L/2-40
$\varnothing 57 \times \varnothing 137$	2	L+3	L/2-40
$\varnothing 76 \times \varnothing 156$	-8	L+13	L/2-40
$\varnothing 89 \times \varnothing 169$	-28	L+46,5	L/2-40
$\varnothing 108 \times \varnothing 188$	-28	L+37	L/2-40