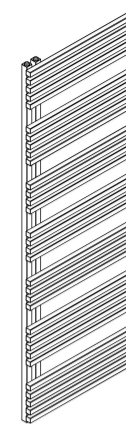




# FALCO

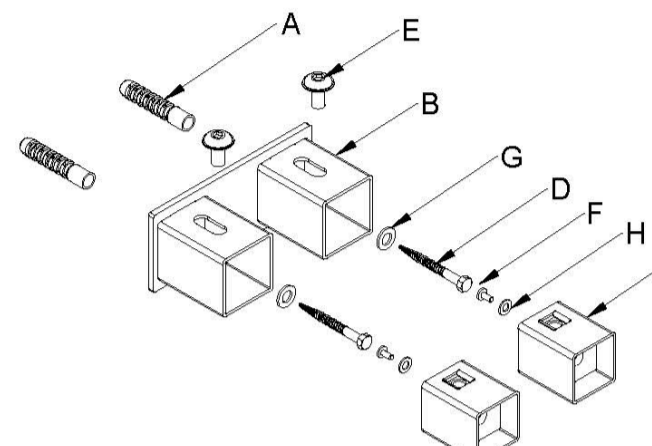


DCOC09700500SK01-0110

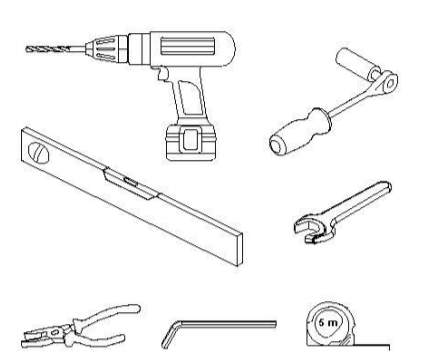

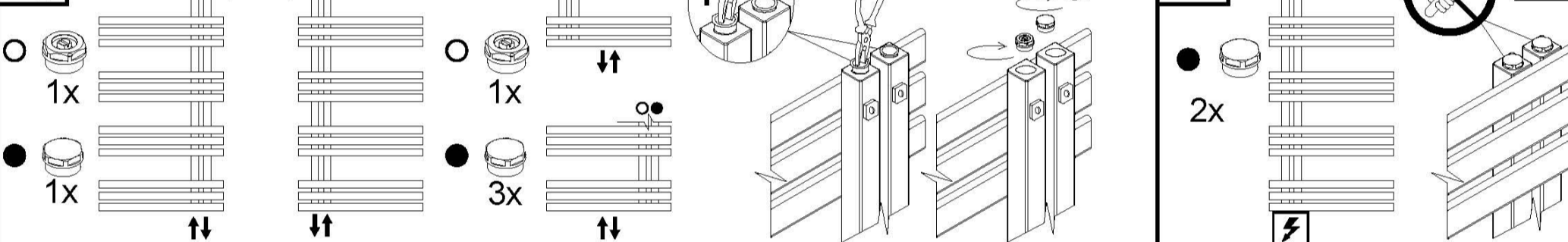


|       |     |         |     |    |    |    |           |         |
|-------|-----|---------|-----|----|----|----|-----------|---------|
| H     | L   | A       | B   | C  | D  | E  | F         | G       |
| 970   | 500 | 25      | 880 | 90 | 20 | 90 | 57,5-67,5 | 100-110 |
| I     | J   | K       | M   | N  | O  | P  |           |         |
| 40-50 | -   | min.100 | 50  | -  | -  | -  |           |         |

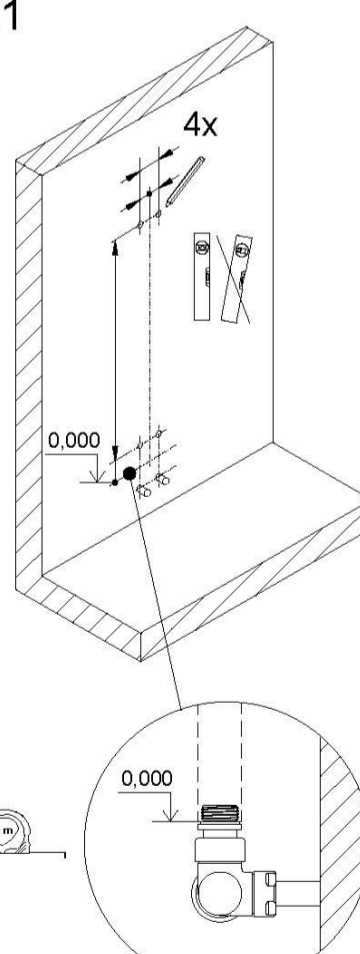
|      |    |
|------|----|
| 13.4 | kg |
| 5.7  | l  |
| 517  | W  |



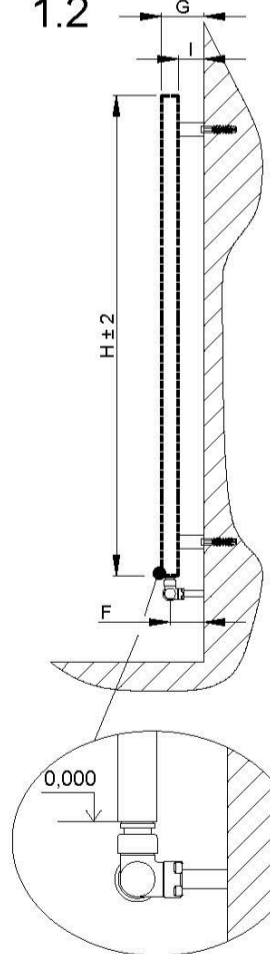
|                         |                         |                       |                         |
|-------------------------|-------------------------|-----------------------|-------------------------|
| <b>A</b><br>4x<br>10x50 | <b>B</b><br>2x          | <b>C</b><br>4x        | <b>D</b><br>4x<br>M6x60 |
| <b>E</b><br>4x<br>M6x10 | <b>F</b><br>4x<br>M6x12 | <b>G</b><br>4x<br>D18 | <b>H</b><br>4x<br>D12   |

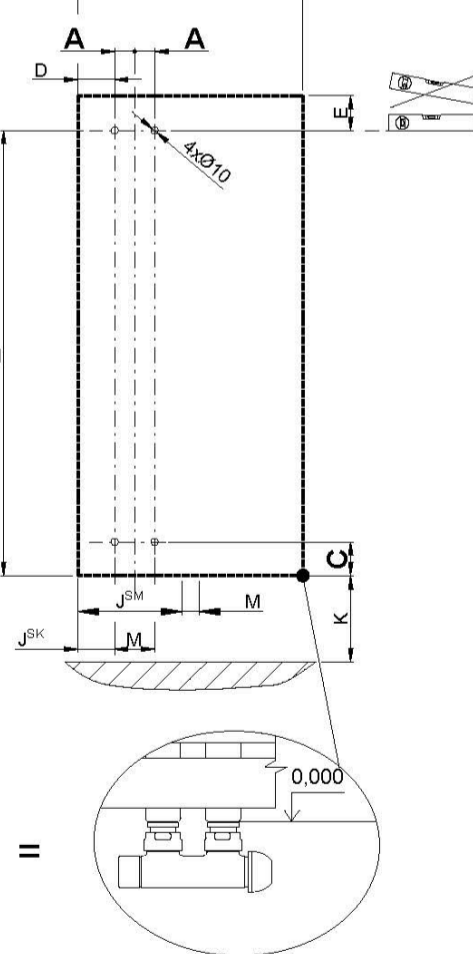
**1.1**



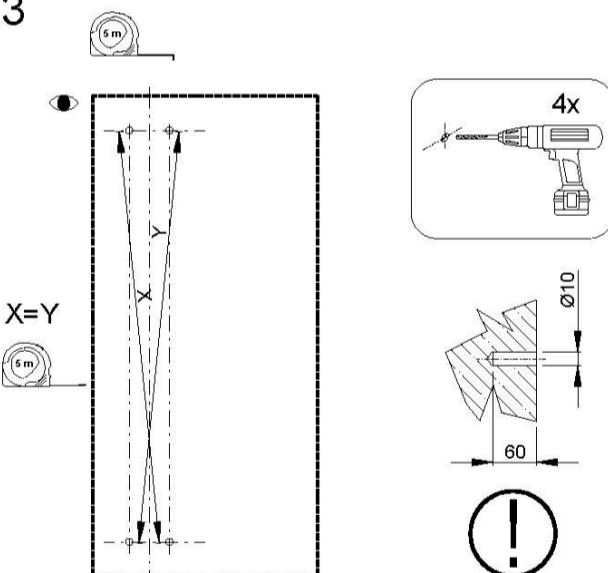
**1.2**



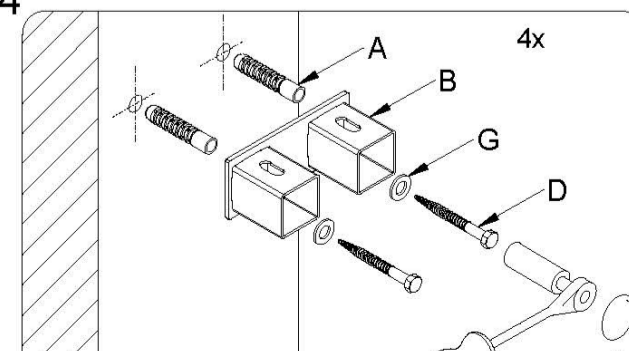
**1.3**



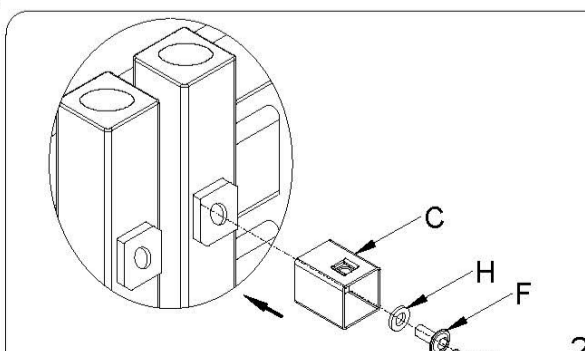
**1.4**



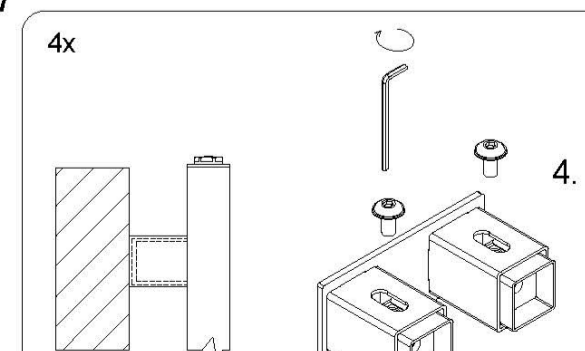
**1.5**



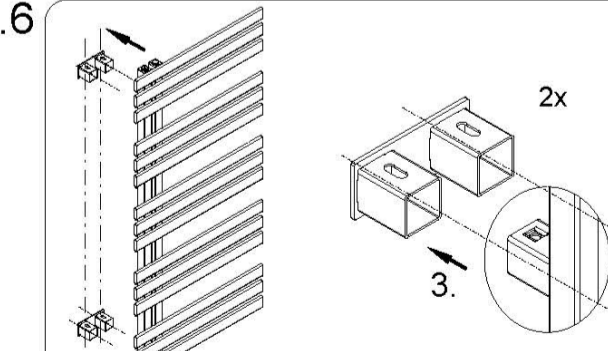
**1.6**



**1.7**



**1.8**

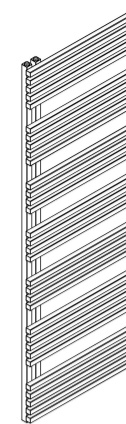




# FALCO

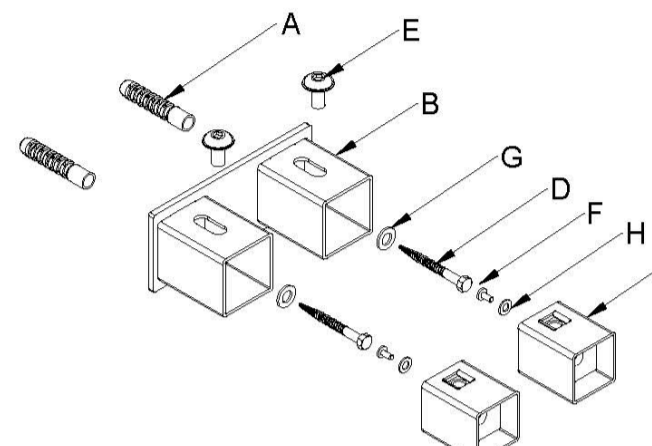


DCOC09700600SK01-0110

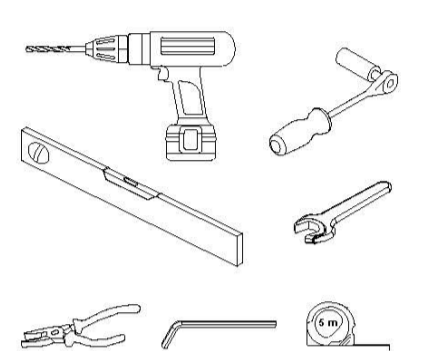






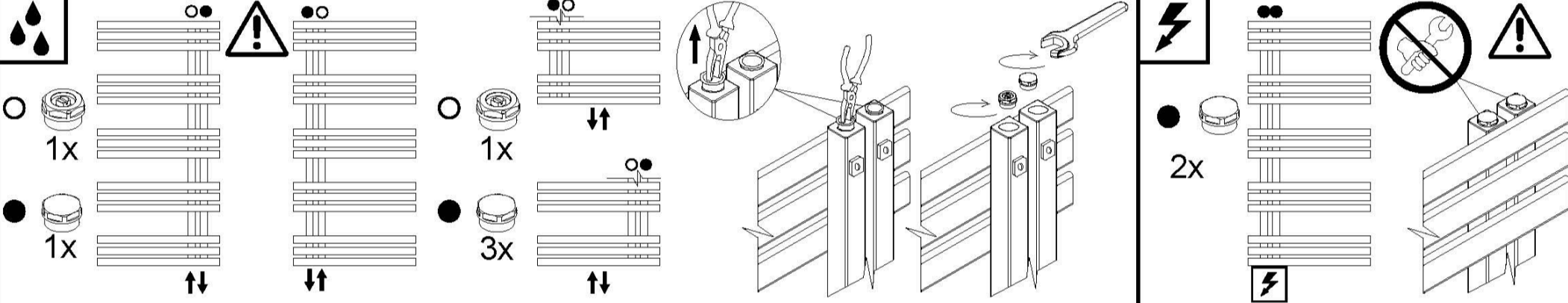


|       |     |         |     |    |    |    |           |         |
|-------|-----|---------|-----|----|----|----|-----------|---------|
| H     | L   | A       | B   | C  | D  | E  | F         | G       |
| 970   | 600 | 25      | 880 | 90 | 20 | 90 | 57,5-67,5 | 100-110 |
| I     | J   | K       | M   | N  | O  | P  |           |         |
| 40-50 | -   | min.100 | 50  | -  | -  | -  |           |         |

|      |    |
|------|----|
| 15.4 | kg |
| 6.6  | l  |
| 598  | W  |



|                         |                         |                       |                         |
|-------------------------|-------------------------|-----------------------|-------------------------|
| <b>A</b><br>4x<br>10x50 | <b>B</b><br>2x          | <b>C</b><br>4x        | <b>D</b><br>4x<br>M6x60 |
| <b>E</b><br>4x<br>M6x10 | <b>F</b><br>4x<br>M6x12 | <b>G</b><br>4x<br>D18 | <b>H</b><br>4x<br>D12   |

**1.1**

**1.2**

**1.3**

**1.3**

**1.4**

**1.5**

**1.7**

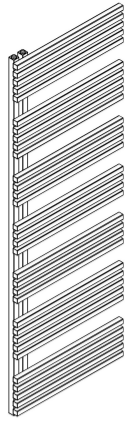
**1.6**



# FALCO

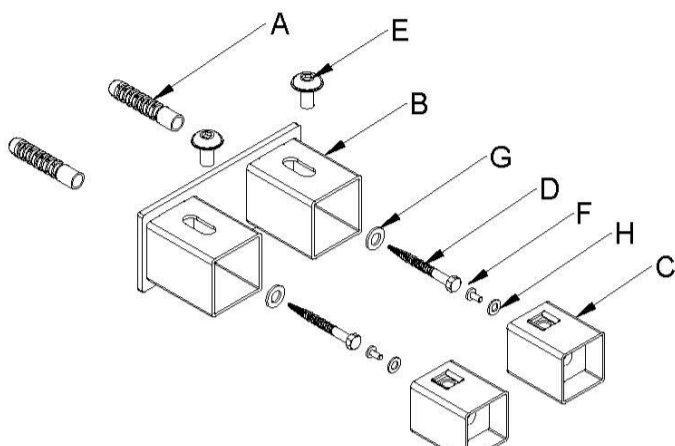


DCOC12900500SK01-0110

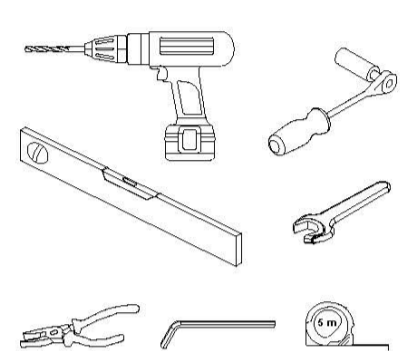

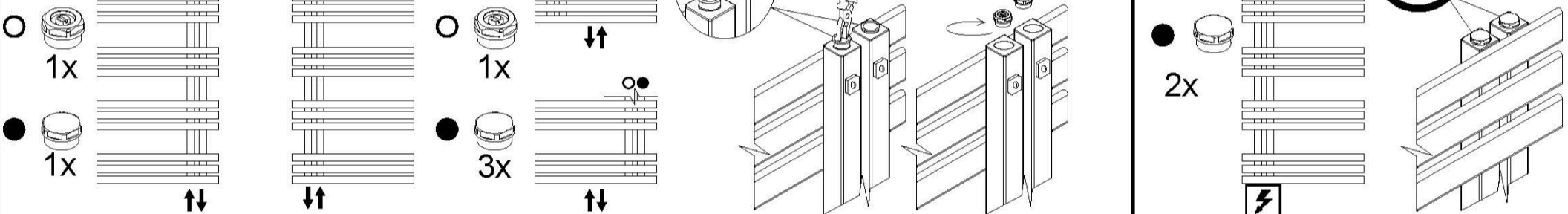


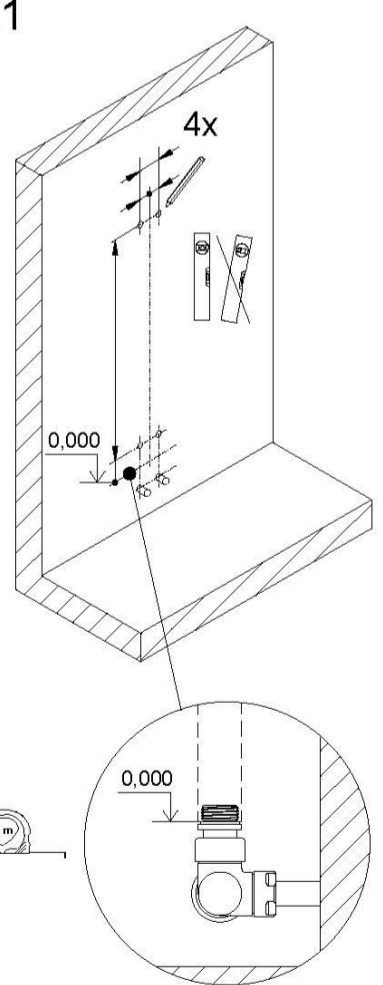
|       |     |         |      |    |    |    |           |         |
|-------|-----|---------|------|----|----|----|-----------|---------|
| H     | L   | A       | B    | C  | D  | E  | F         | G       |
| 1290  | 500 | 25      | 1200 | 90 | 20 | 90 | 57,5-67,5 | 100-110 |
| I     | J   | K       | M    | N  | O  | P  |           |         |
| 40-50 | -   | min.100 | 50   | -  | -  | -  |           |         |

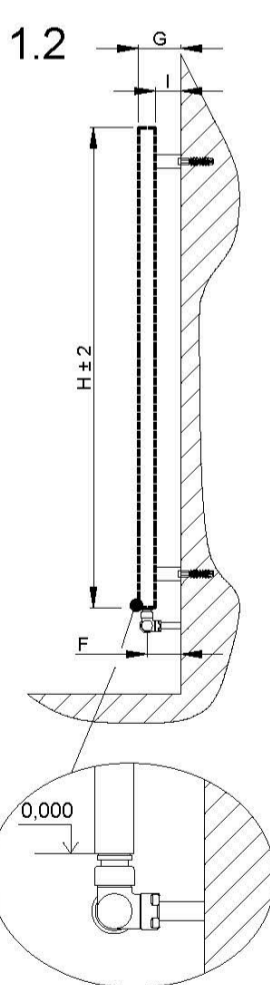
|      |    |
|------|----|
| 17.9 | kg |
| 7.6  | l  |
| 689  | W  |

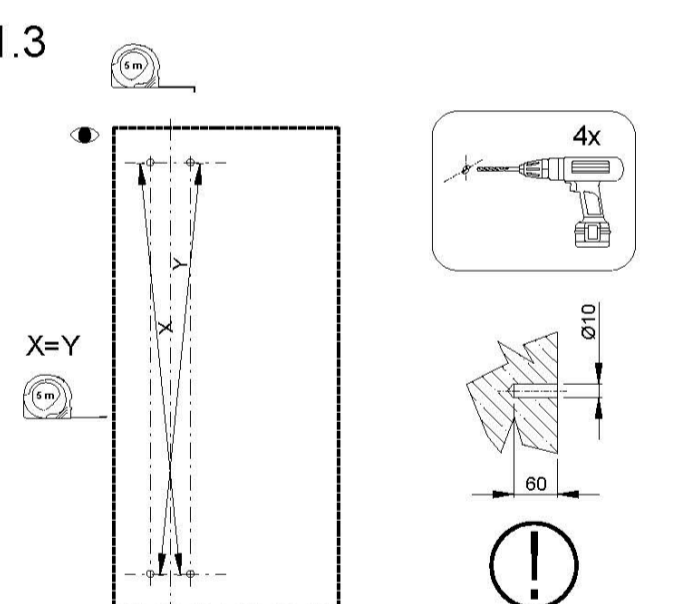


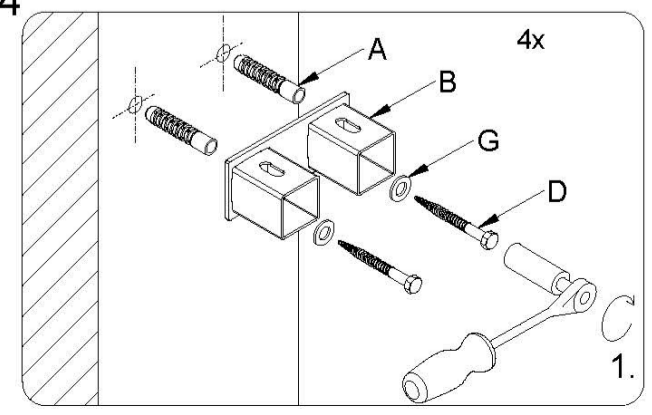
|                         |                         |                       |                         |
|-------------------------|-------------------------|-----------------------|-------------------------|
| <b>A</b><br>4x<br>10x50 | <b>B</b><br>2x          | <b>C</b><br>4x        | <b>D</b><br>4x<br>M6x60 |
| <b>E</b><br>4x<br>M6x10 | <b>F</b><br>4x<br>M6x12 | <b>G</b><br>4x<br>D18 | <b>H</b><br>4x<br>D12   |

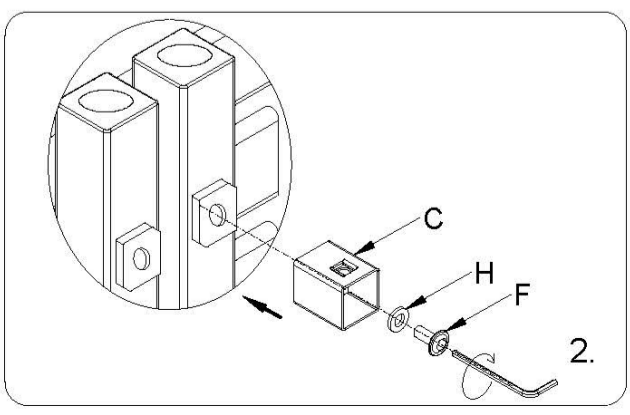




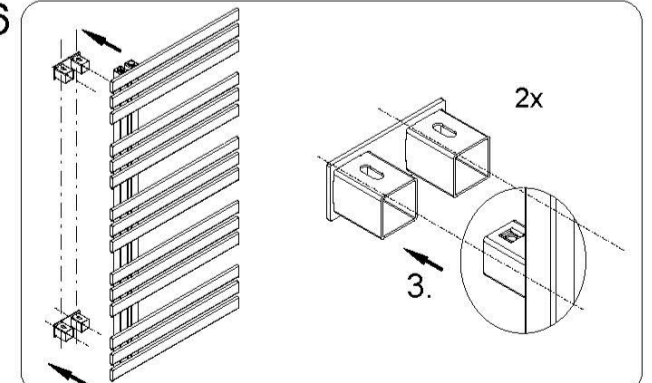
**1.1** 

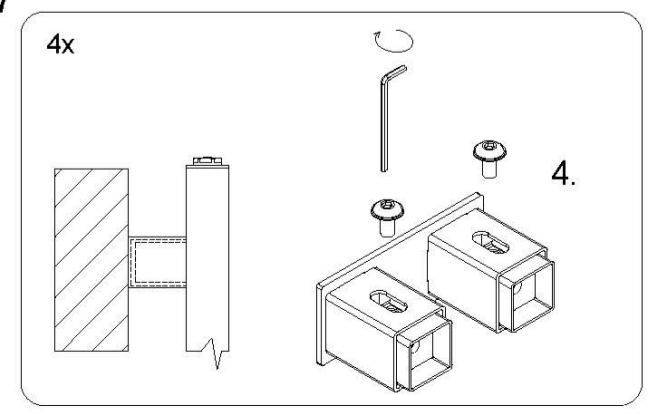
**1.2** 

**1.3** 

**1.4** 

**1.5** 

**1.6** 

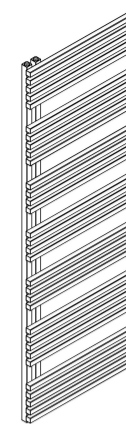
**1.7** 



# FALCO

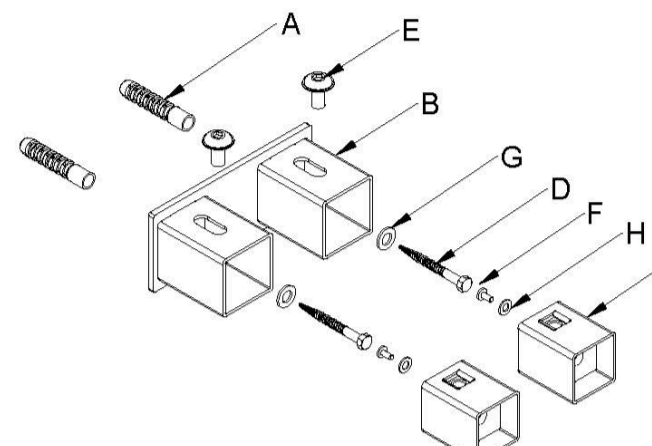


DCOC12900600SK01-0110

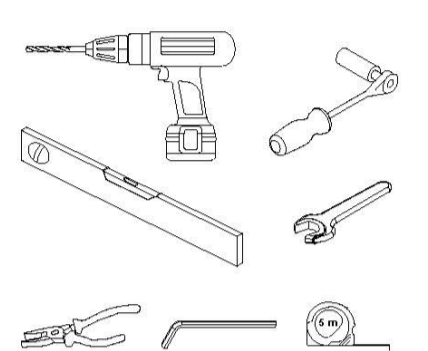

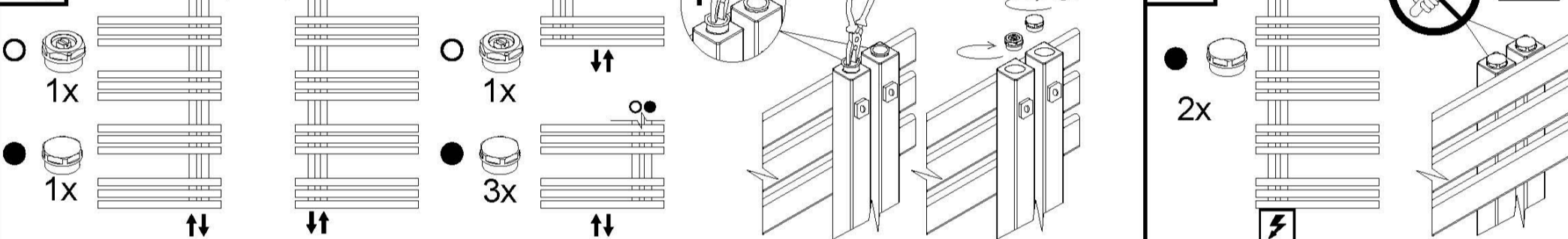


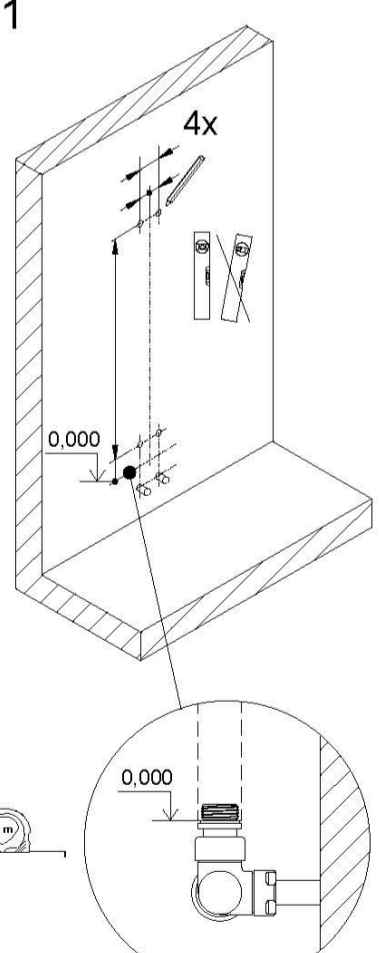
|       |     |         |      |    |    |    |           |         |
|-------|-----|---------|------|----|----|----|-----------|---------|
| H     | L   | A       | B    | C  | D  | E  | F         | G       |
| 1290  | 600 | 25      | 1200 | 90 | 20 | 90 | 57,5-67,5 | 100-110 |
| I     | J   | K       | M    | N  | O  | P  |           |         |
| 40-50 | -   | min.100 | 50   | -  | -  | -  |           |         |

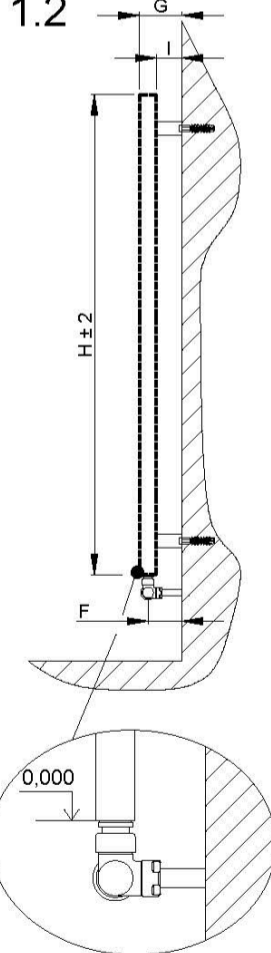
|      |    |
|------|----|
| 20.6 | kg |
| 8.8  | l  |
| 797  | W  |

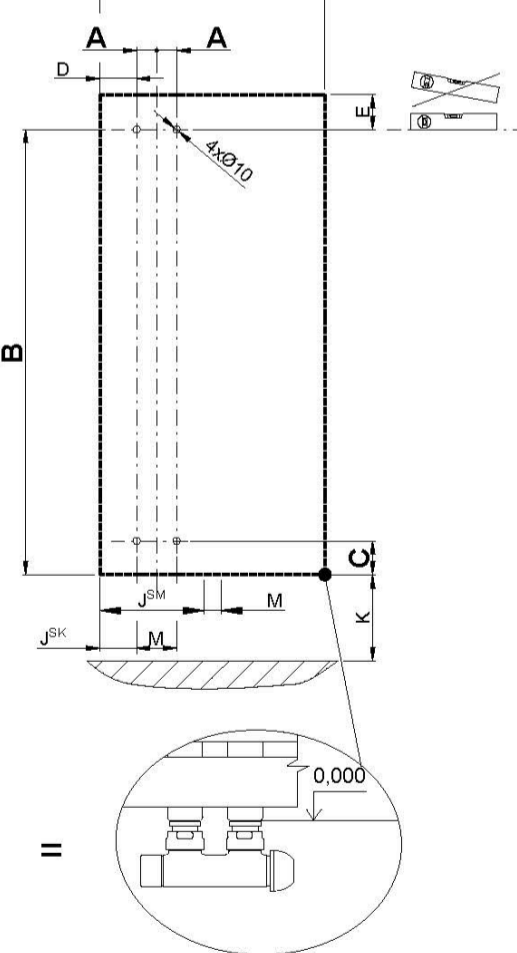


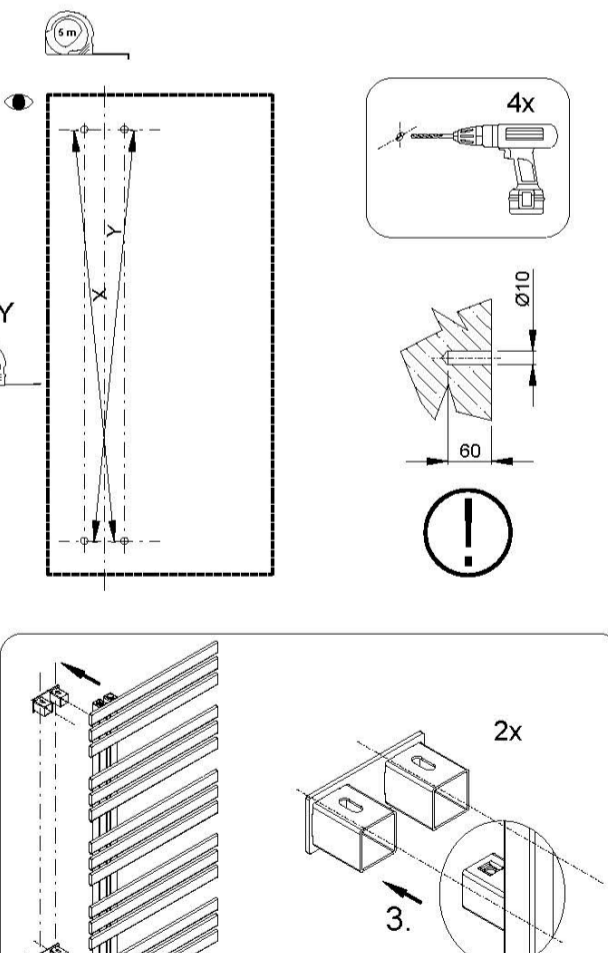
|                         |                         |                       |                         |
|-------------------------|-------------------------|-----------------------|-------------------------|
| <b>A</b><br>4x<br>10x50 | <b>B</b><br>2x          | <b>C</b><br>4x        | <b>D</b><br>4x<br>M6x60 |
| <b>E</b><br>4x<br>M6x10 | <b>F</b><br>4x<br>M6x12 | <b>G</b><br>4x<br>D18 | <b>H</b><br>4x<br>D12   |

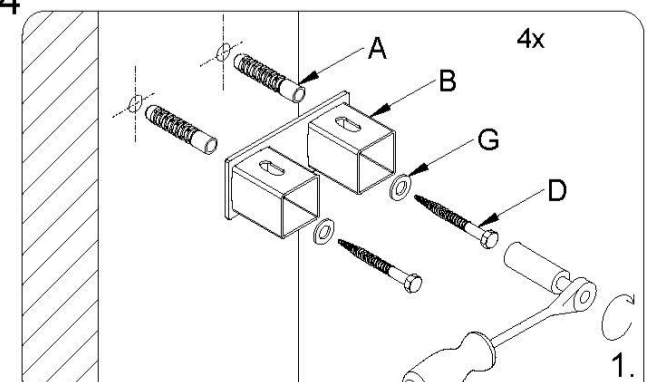




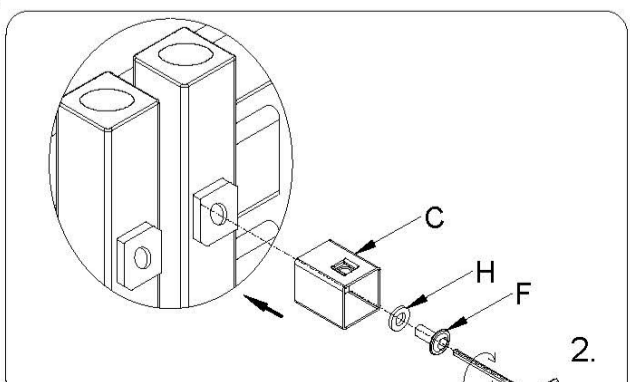
**1.1** 

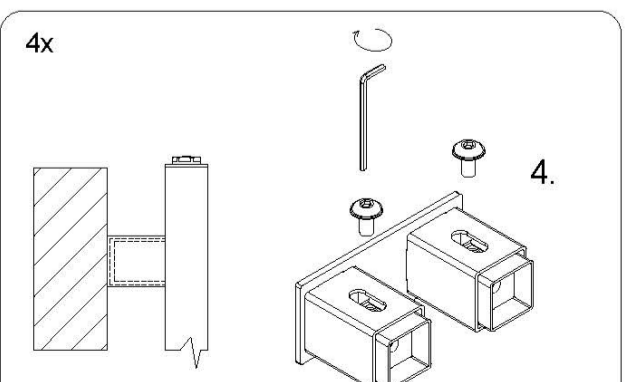
**1.2** 

**1.3** 

**1.6** 

**1.4** 

**1.5** 

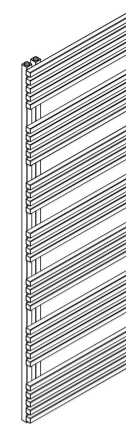
**1.7** 



# FALCO

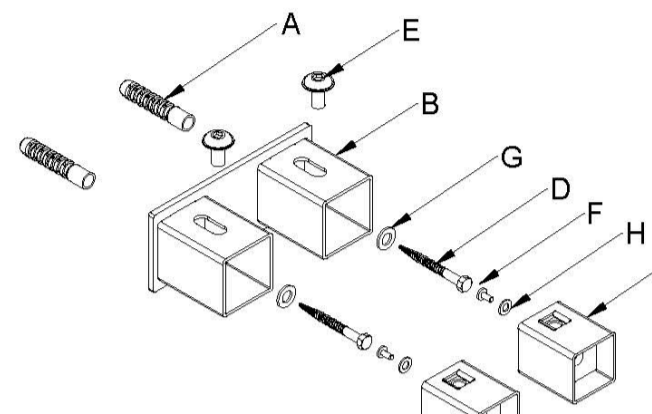


DCOC17700500SK01-0110

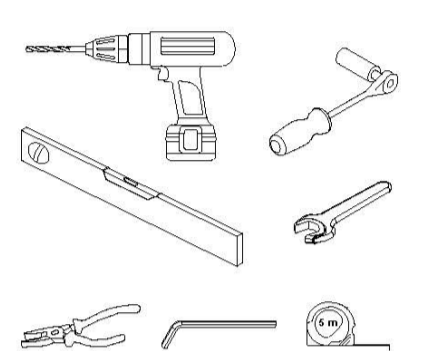
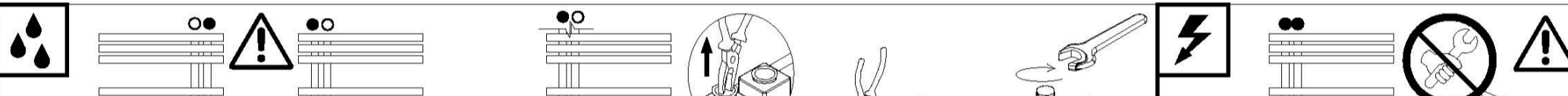
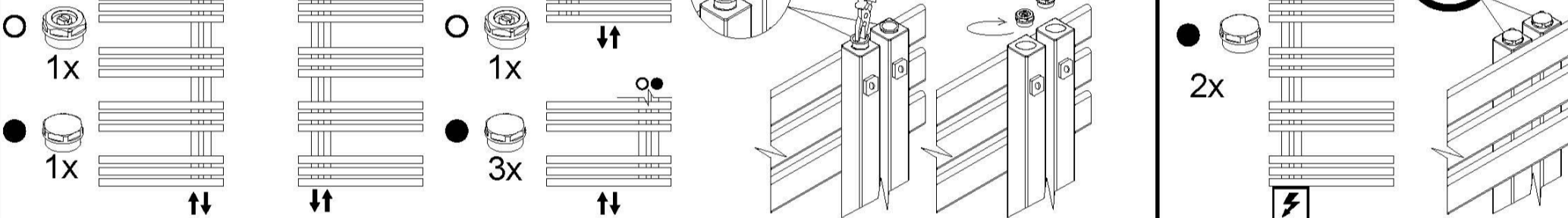


|       |     |         |      |    |    |    |           |         |
|-------|-----|---------|------|----|----|----|-----------|---------|
| H     | L   | A       | B    | C  | D  | E  | F         | G       |
| 1770  | 500 | 25      | 1680 | 90 | 20 | 90 | 57,5-67,5 | 100-110 |
| I     | J   | K       | M    | N  | O  | P  |           |         |
| 40-50 | -   | min.100 | 50   | -  | -  | -  |           |         |

|      |    |
|------|----|
| 23.9 | kg |
| 10.2 | I  |
| 920  | W  |



|                         |                         |                       |                         |
|-------------------------|-------------------------|-----------------------|-------------------------|
| <b>A</b><br>4x<br>10x50 | <b>B</b><br>2x          | <b>C</b><br>4x        | <b>D</b><br>4x<br>M6x60 |
| <b>E</b><br>4x<br>M6x10 | <b>F</b><br>4x<br>M6x12 | <b>G</b><br>4x<br>D18 | <b>H</b><br>4x<br>D12   |

**1.1**

**1.2**

**1.3**

**1.4**

**1.5**

**1.6**

**1.7**

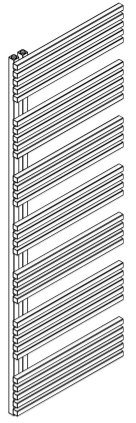
**1.8**



# FALCO

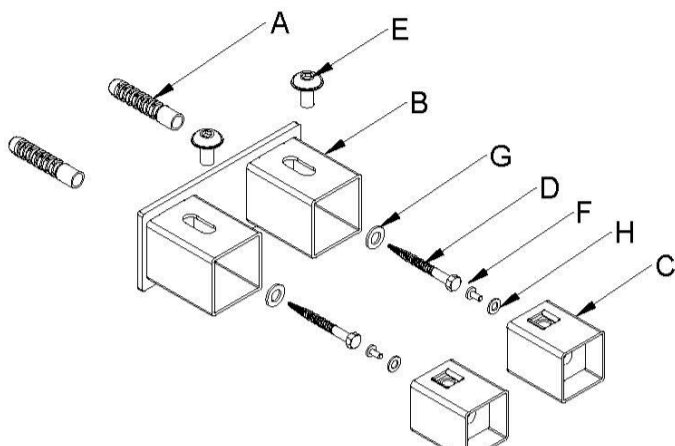


DCOC17700600SK01-0110

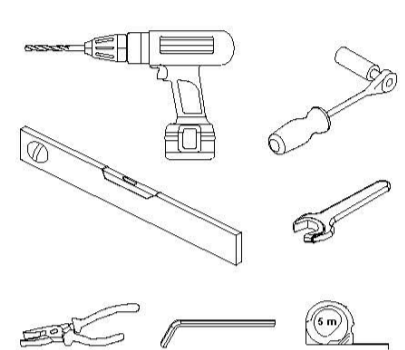

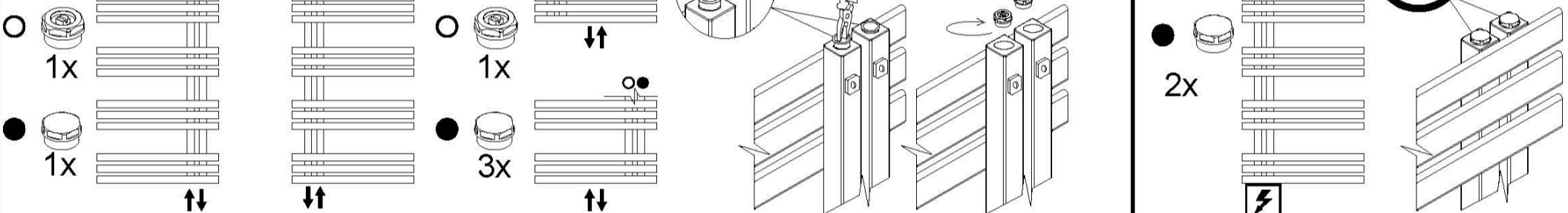


|       |     |         |      |    |    |    |           |         |
|-------|-----|---------|------|----|----|----|-----------|---------|
| H     | L   | A       | B    | C  | D  | E  | F         | G       |
| 1770  | 600 | 25      | 1680 | 90 | 20 | 90 | 57,5-67,5 | 100-110 |
| I     | J   | K       | M    | N  | O  | P  |           |         |
| 40-50 | -   | min.100 | 50   | -  | -  | -  |           |         |

|      |    |
|------|----|
| 27.6 | kg |
| 11.8 | l  |
| 1062 | W  |



|                         |                         |                       |                         |
|-------------------------|-------------------------|-----------------------|-------------------------|
| <b>A</b><br>4x<br>10x50 | <b>B</b><br>2x          | <b>C</b><br>4x        | <b>D</b><br>4x<br>M6x60 |
| <b>E</b><br>4x<br>M6x10 | <b>F</b><br>4x<br>M6x12 | <b>G</b><br>4x<br>D18 | <b>H</b><br>4x<br>D12   |

**1.1**

**1.2**

**1.3**

**1.3**

**1.4**

**1.5**

**1.7**

**1.6**

